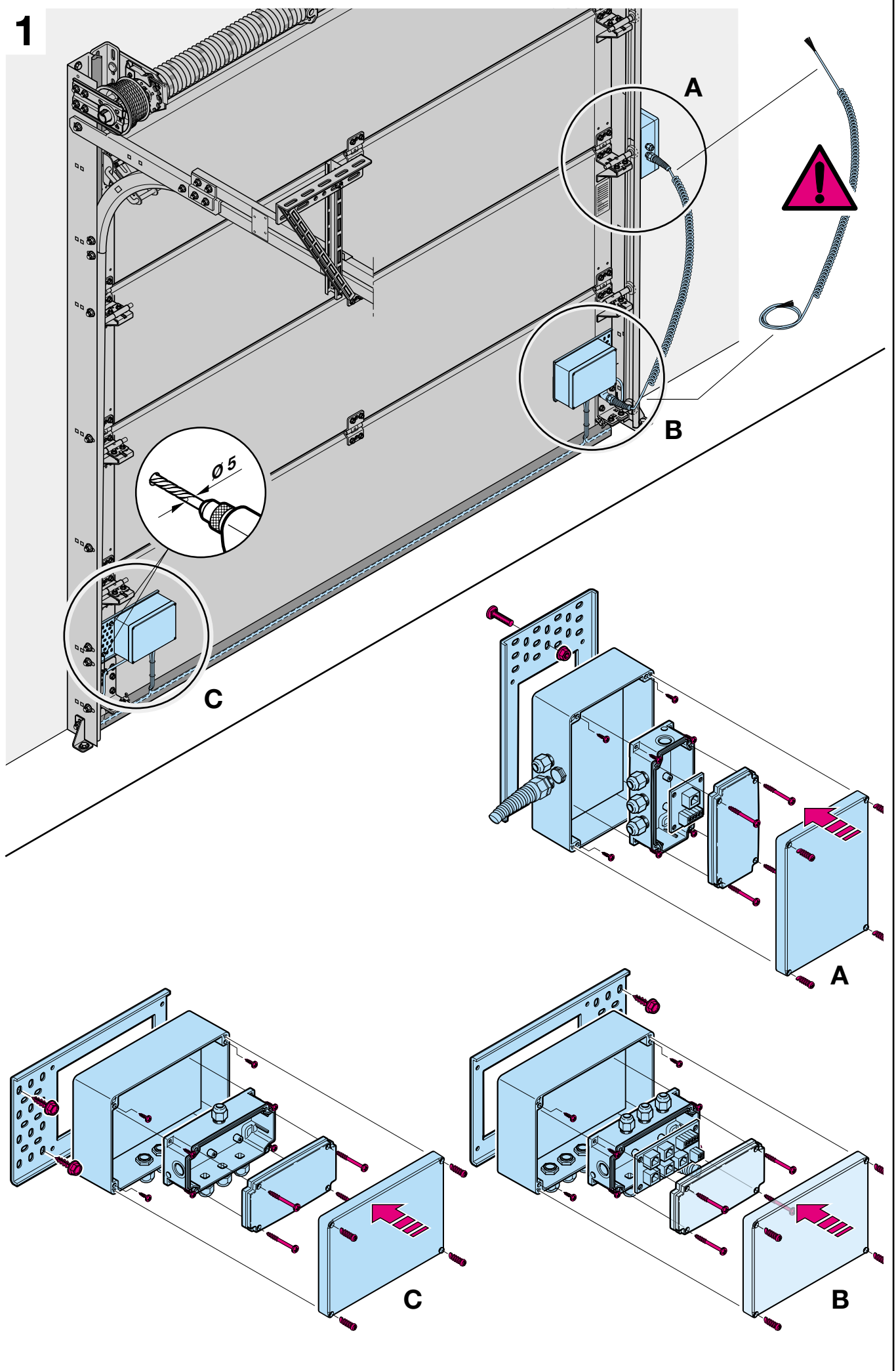
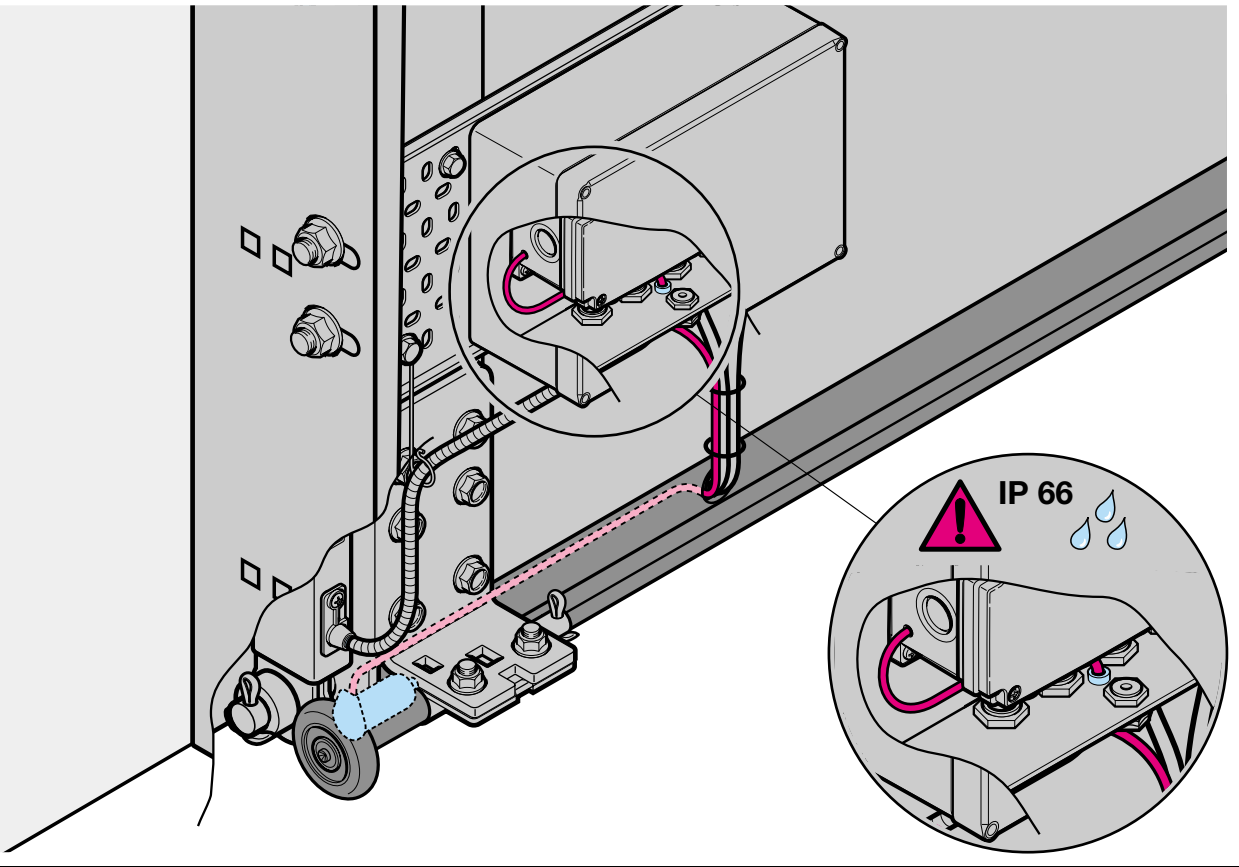


1



11.2003 TR30E015 RE

2



2.1

