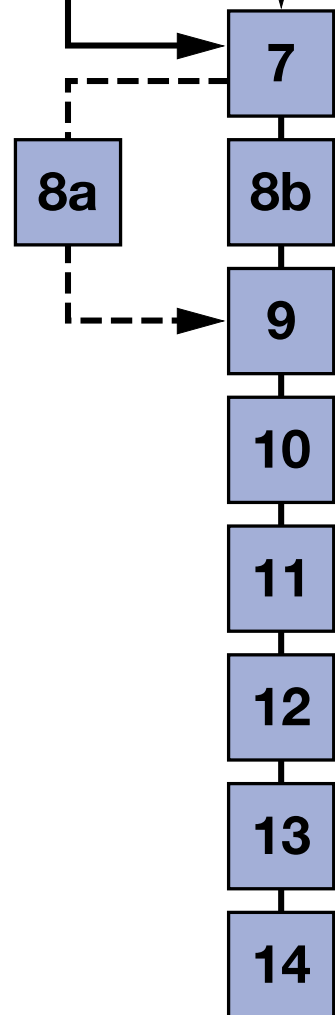
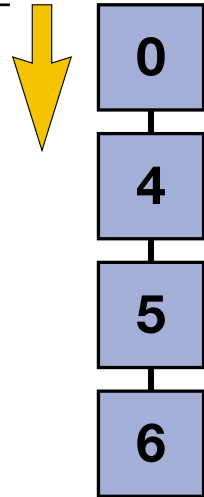
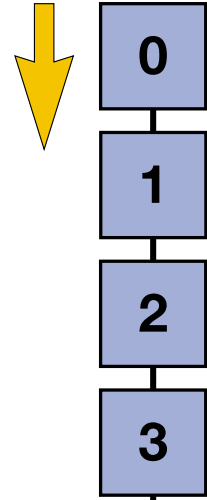
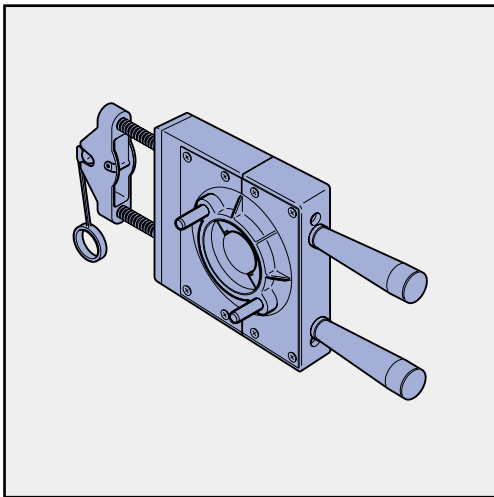
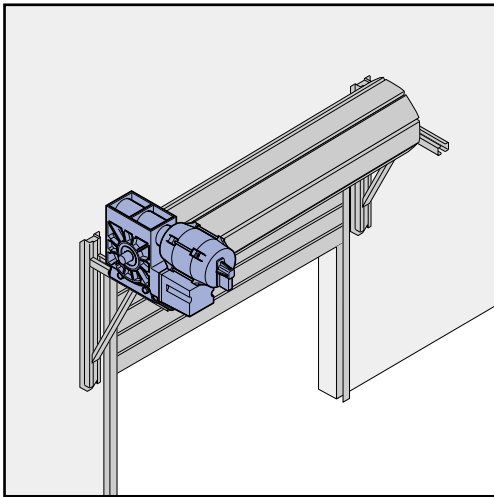
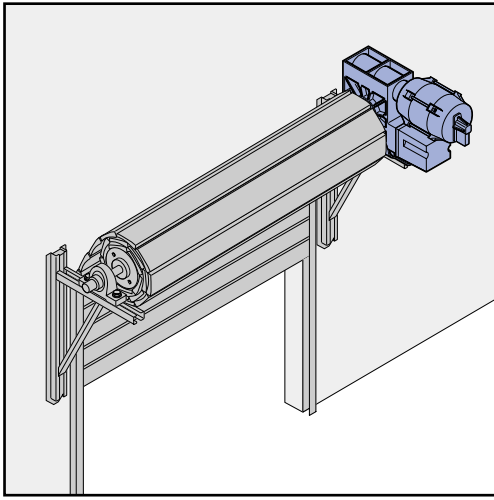


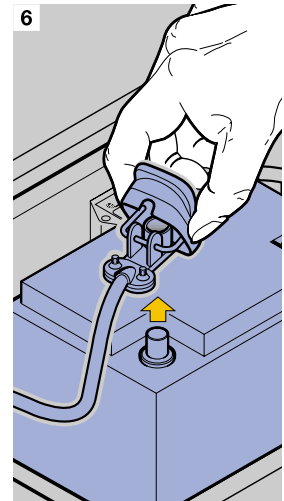
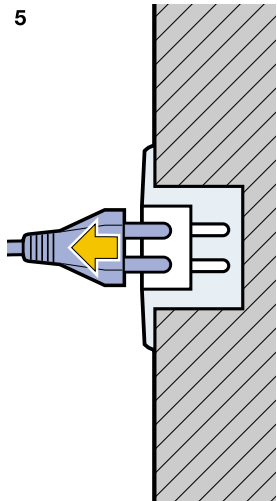
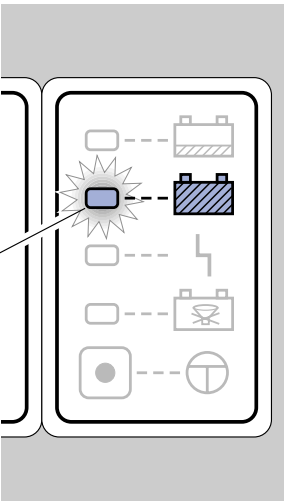
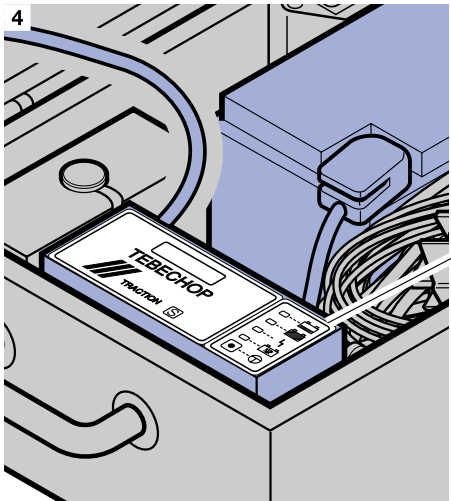
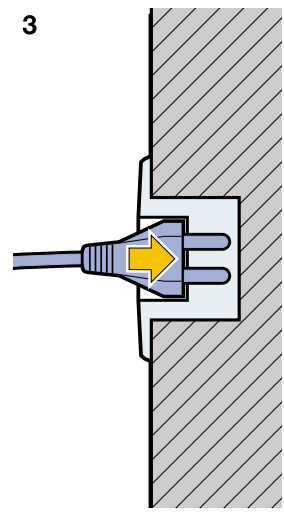
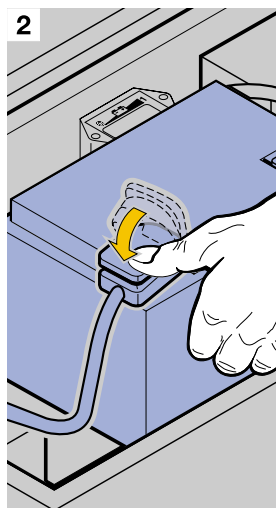
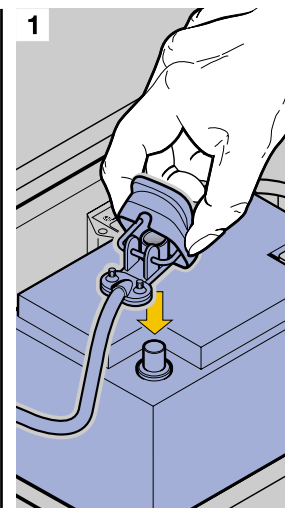
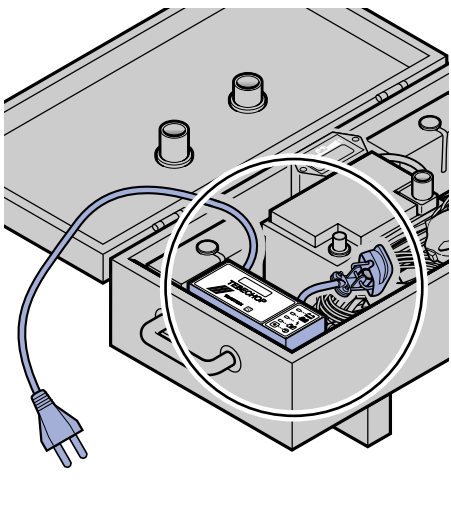
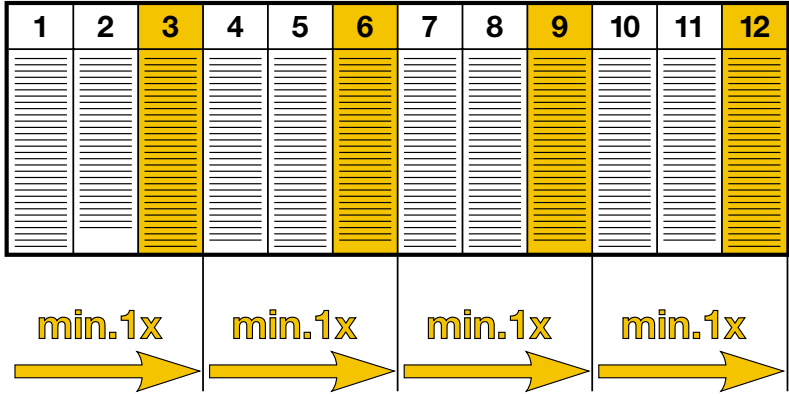
Anleitung für Montage, Betrieb und Wartung
Montage-Hilfe für Rolll Tore



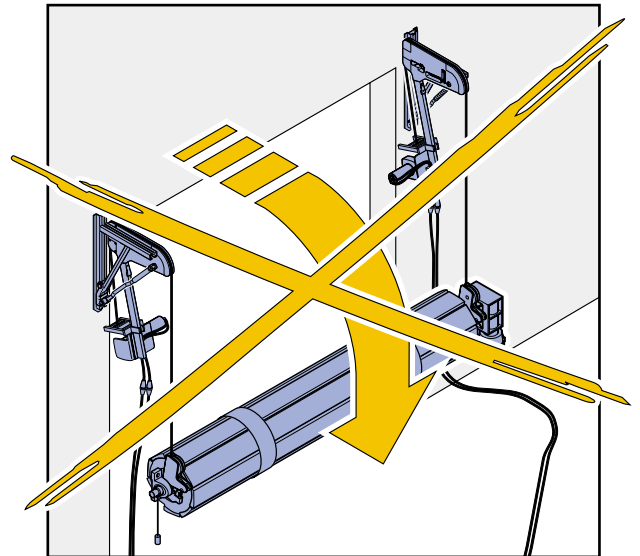
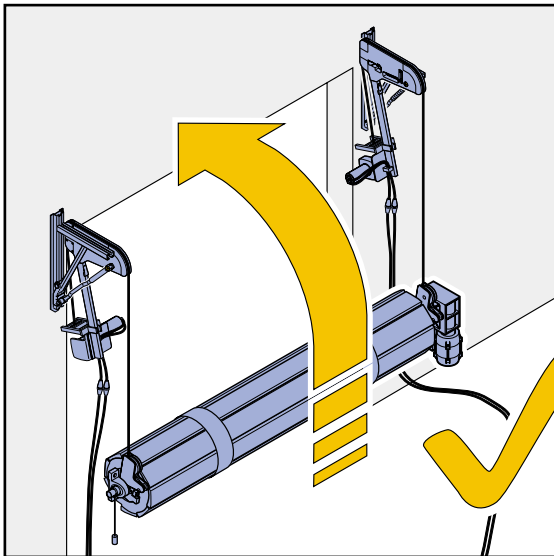
0



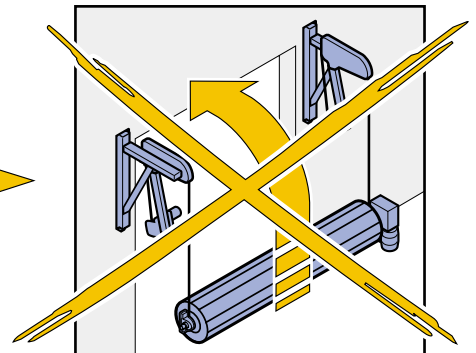
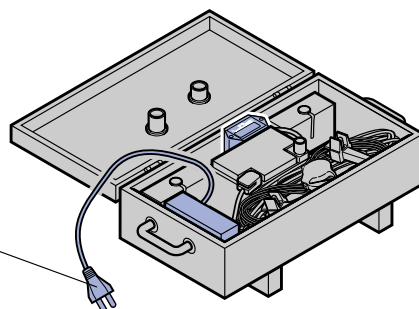
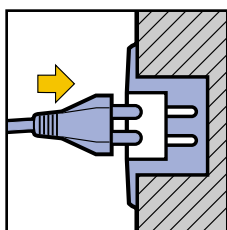
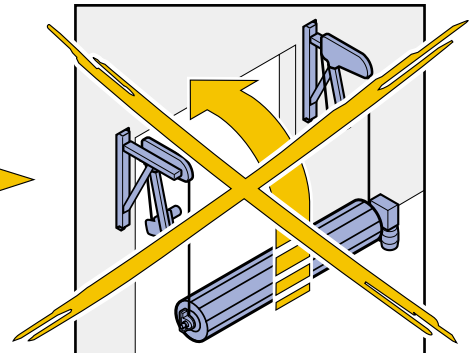
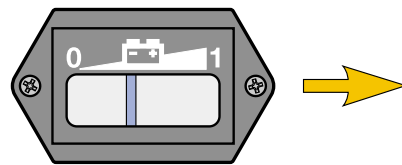
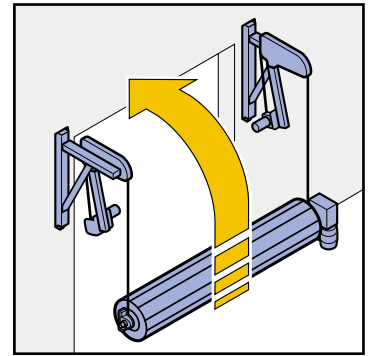
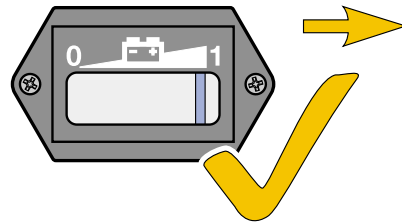
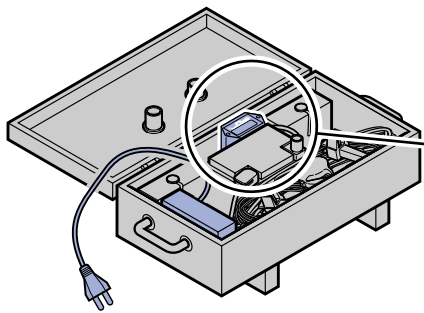
0.1



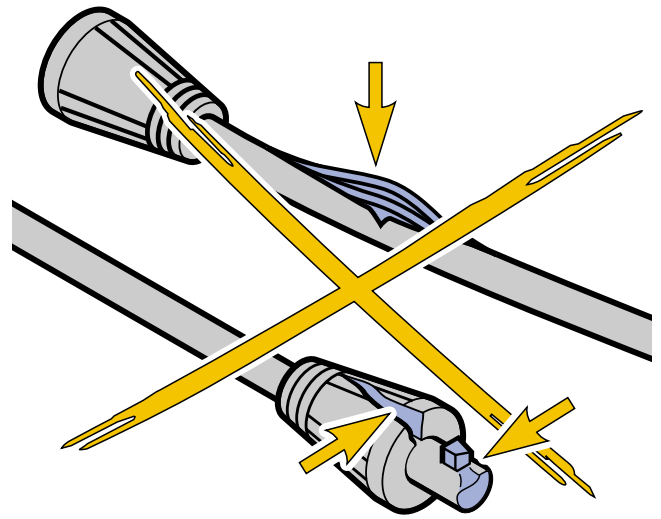
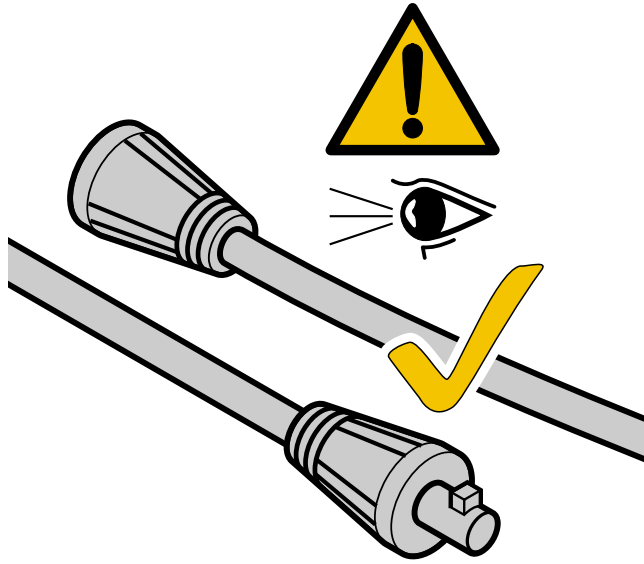
0.2



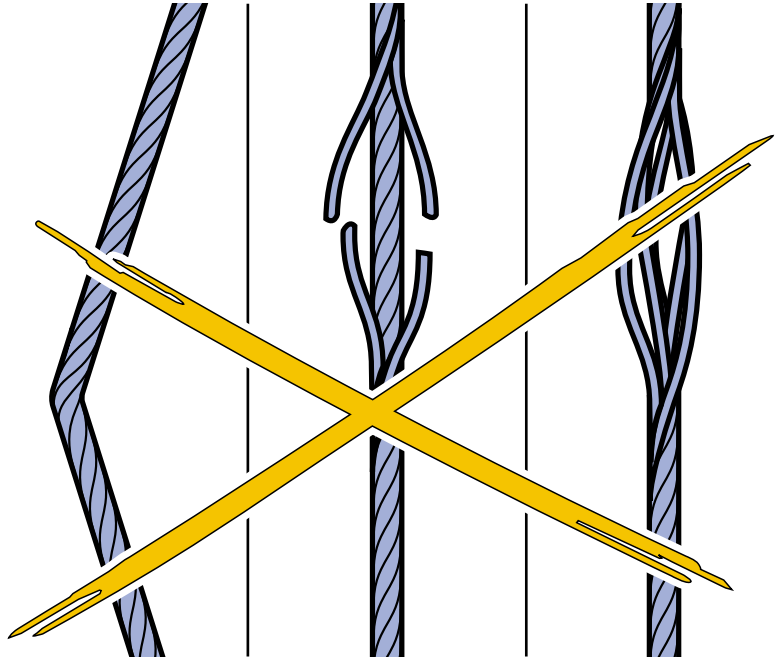
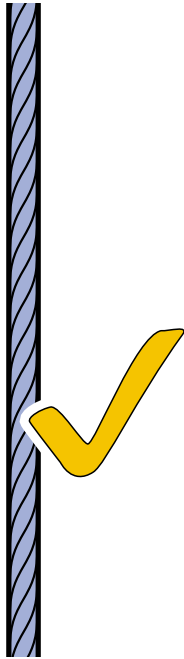
0.3



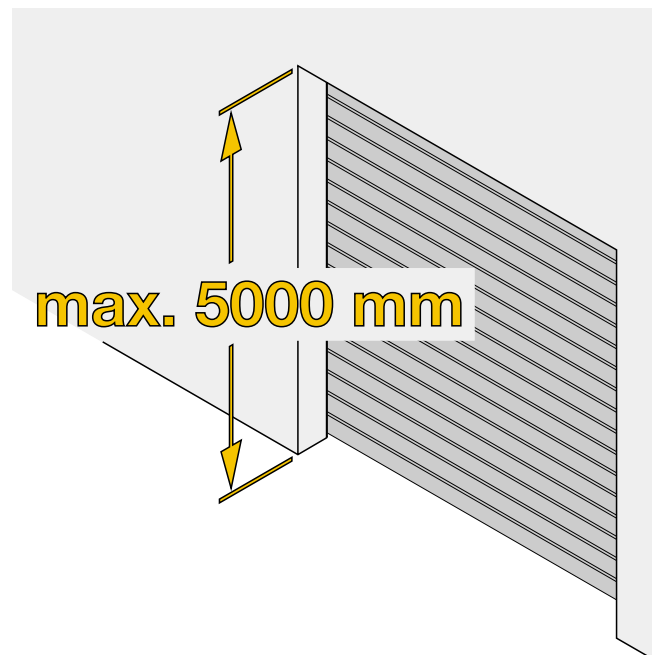
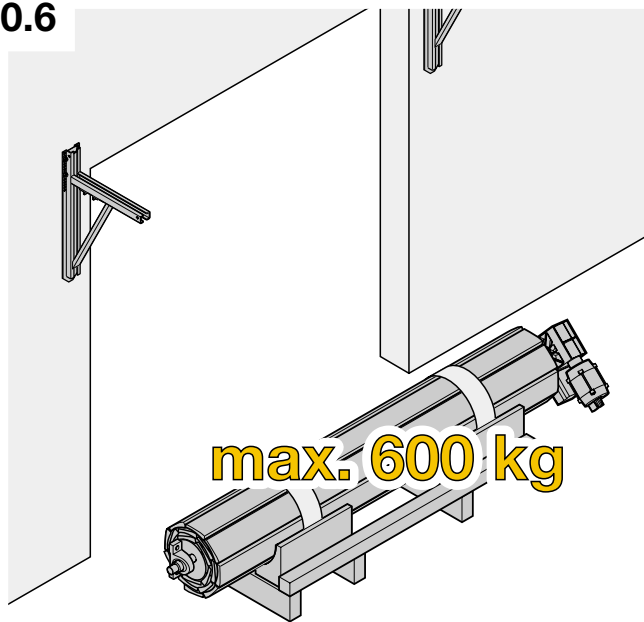
0.4



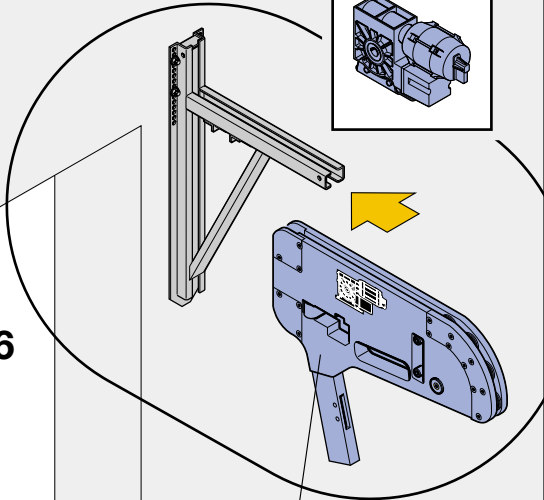
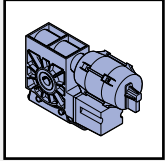
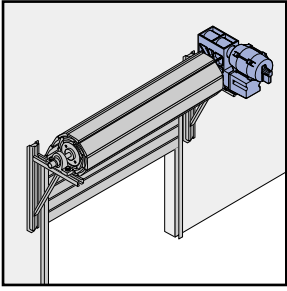
0.5



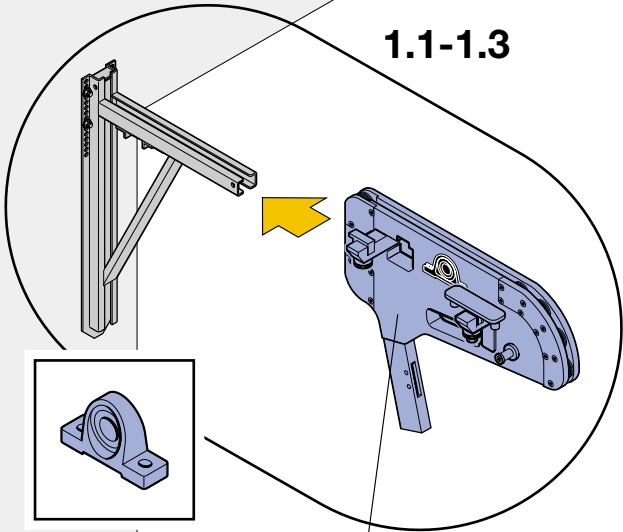
0.6



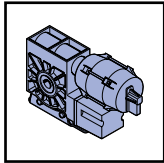
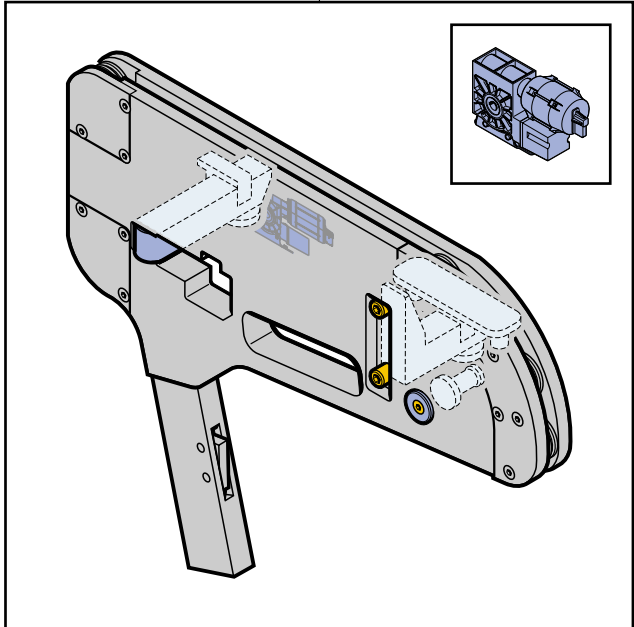
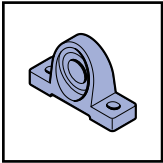
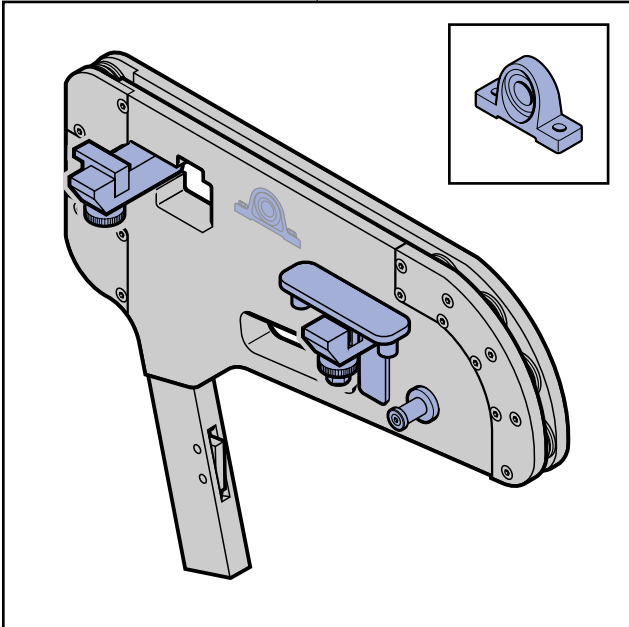
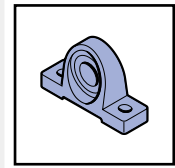
1



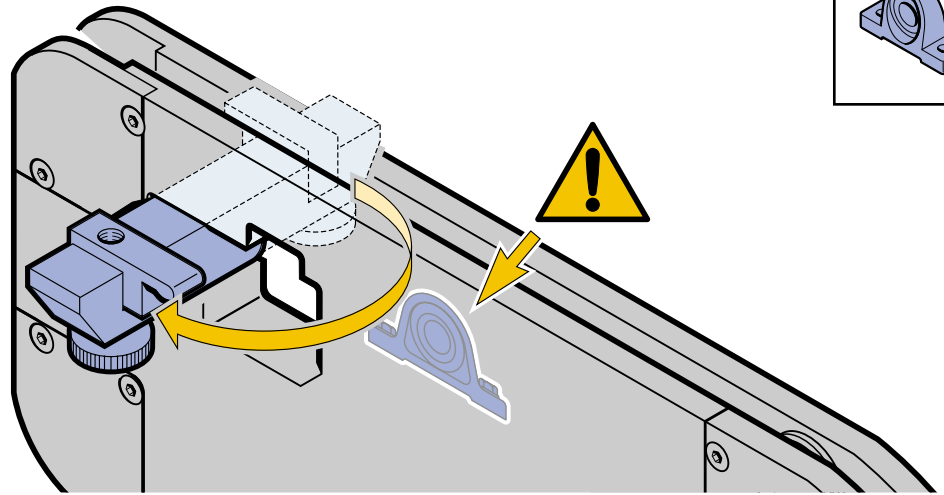
1.4-1.6



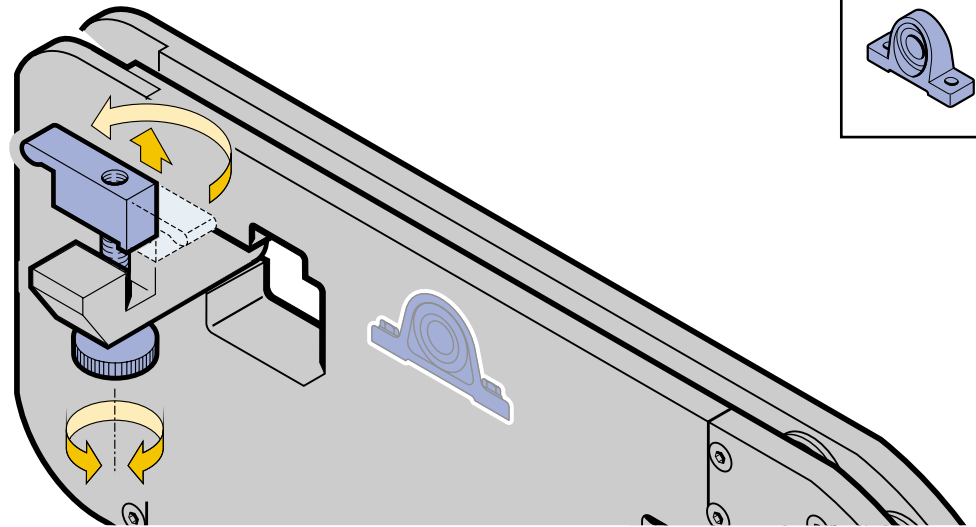
1.1-1.3



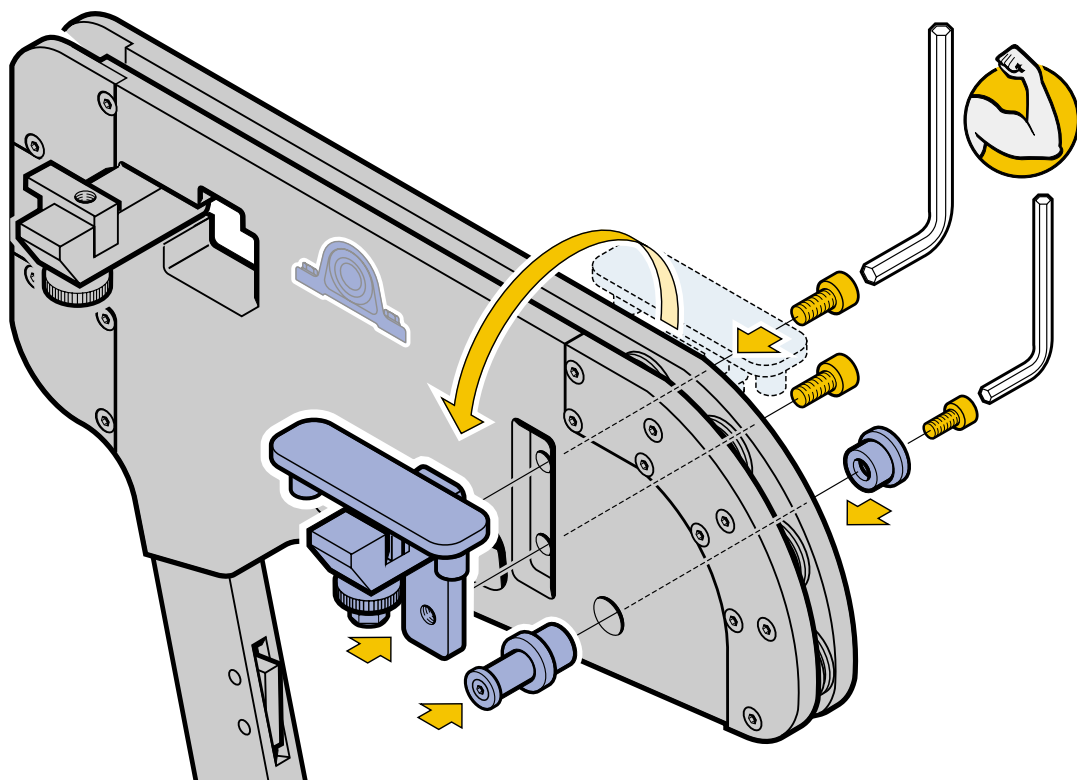
1.1



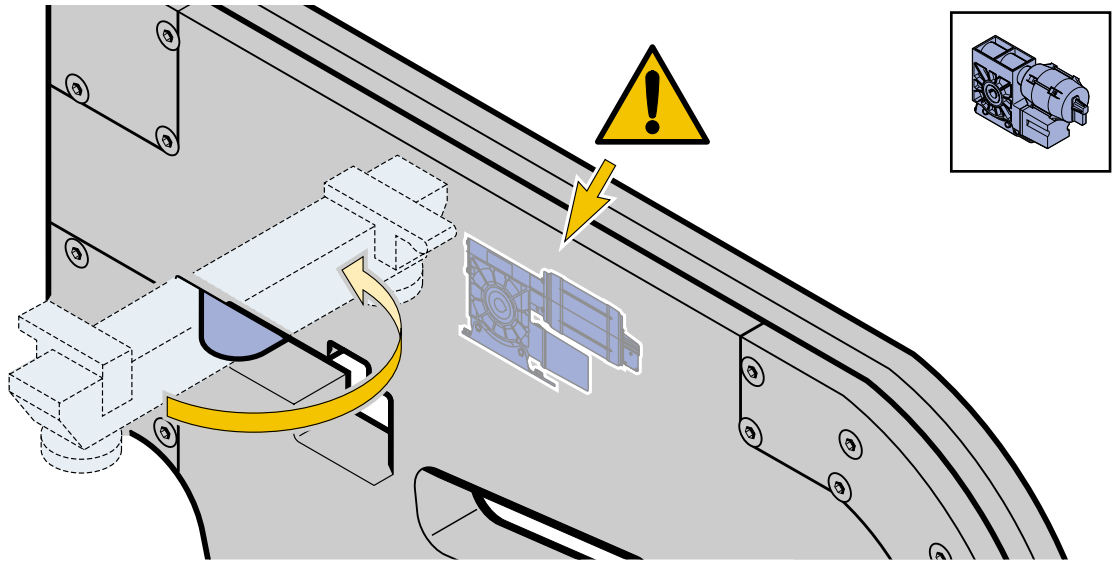
1.2



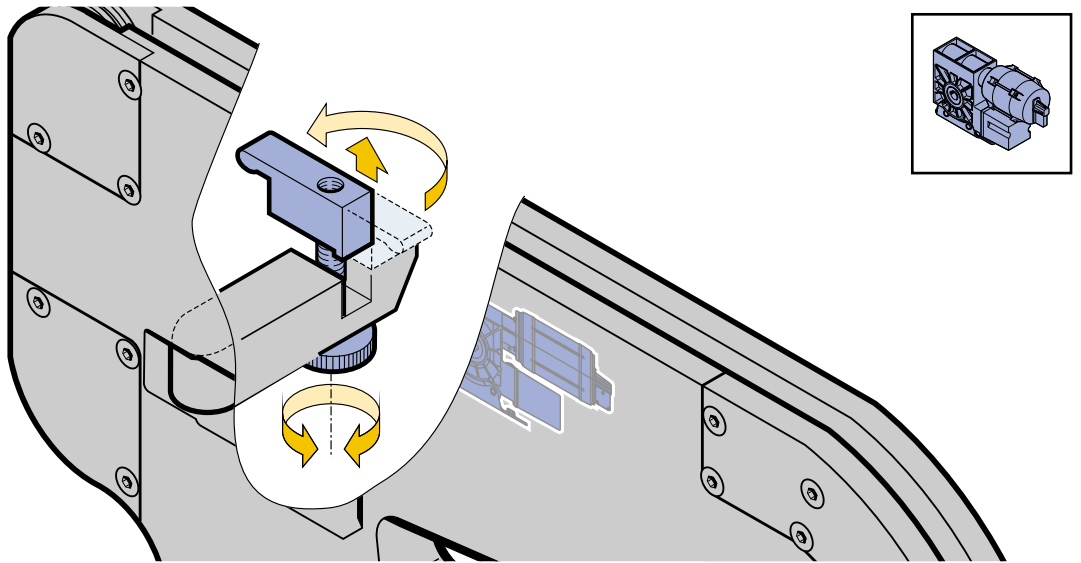
1.3



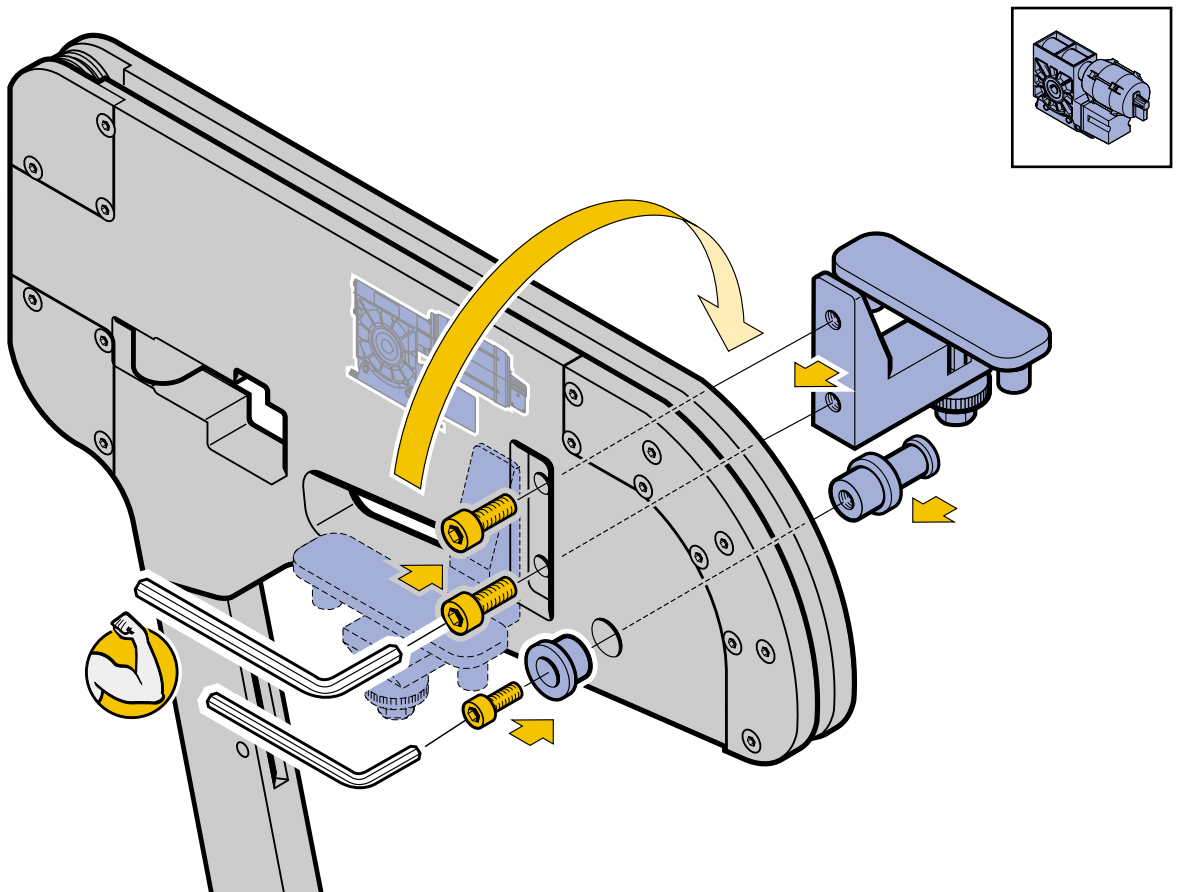
1.4



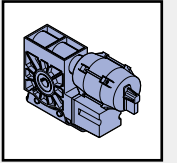
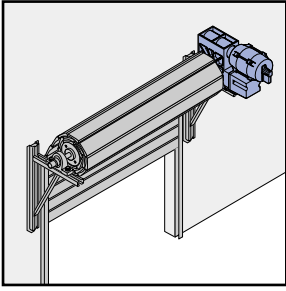
1.5



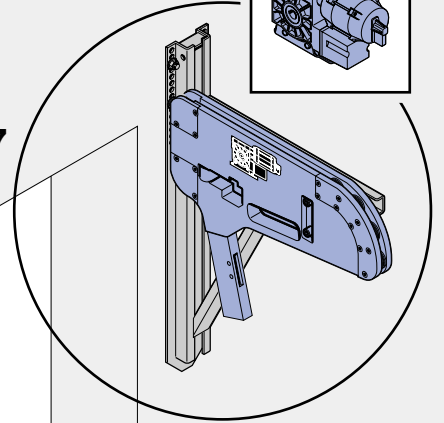
1.6



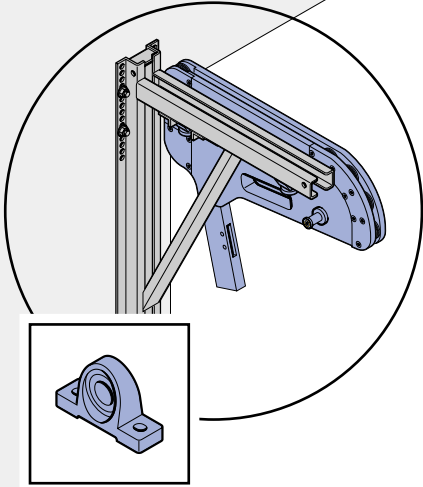
2



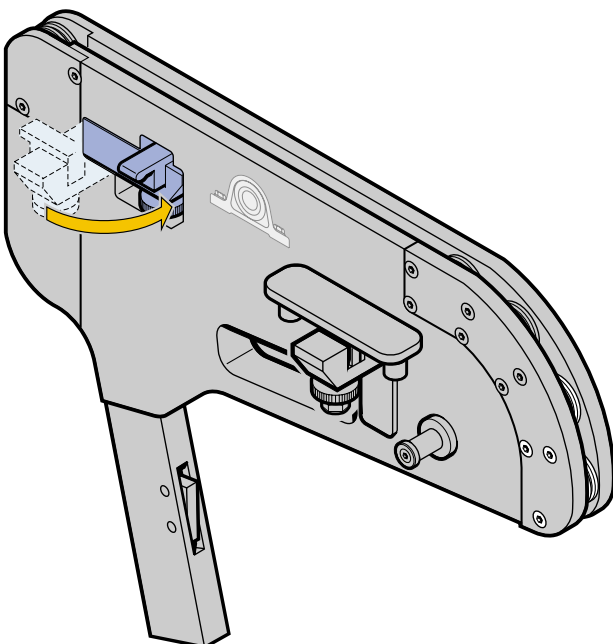
2.1-2.7



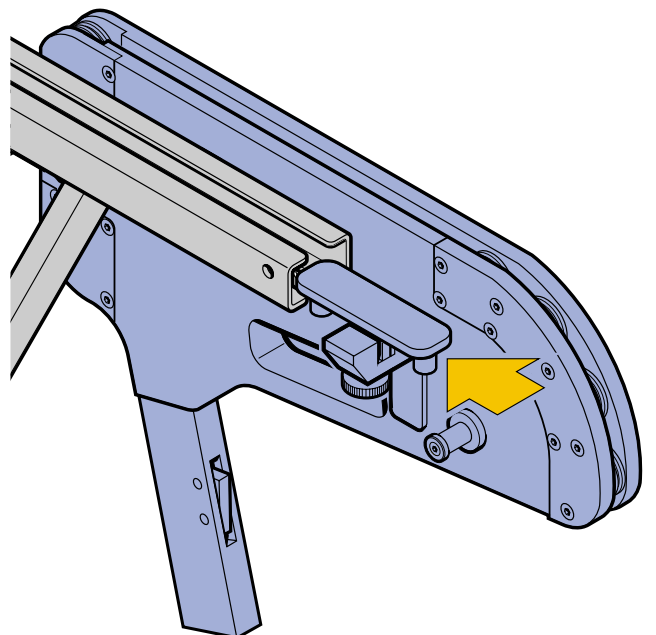
2.1-2.7



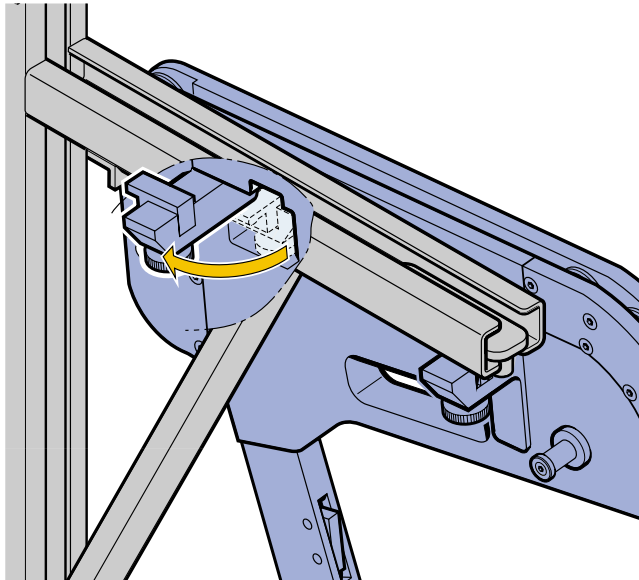
2.1



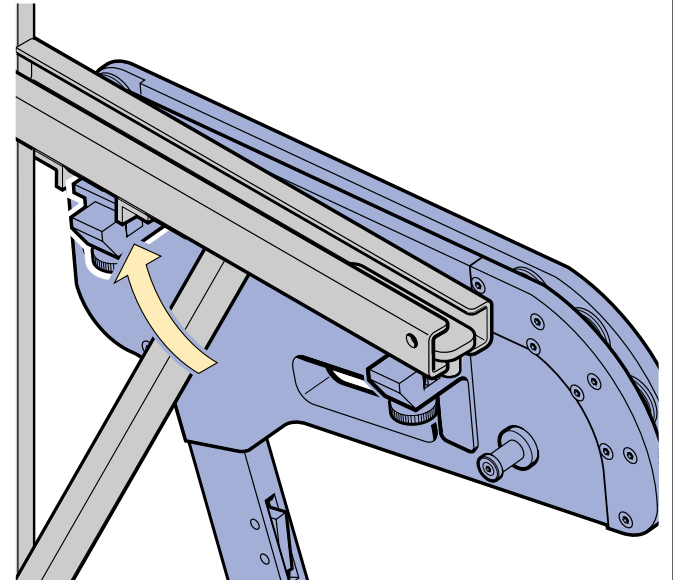
2.2



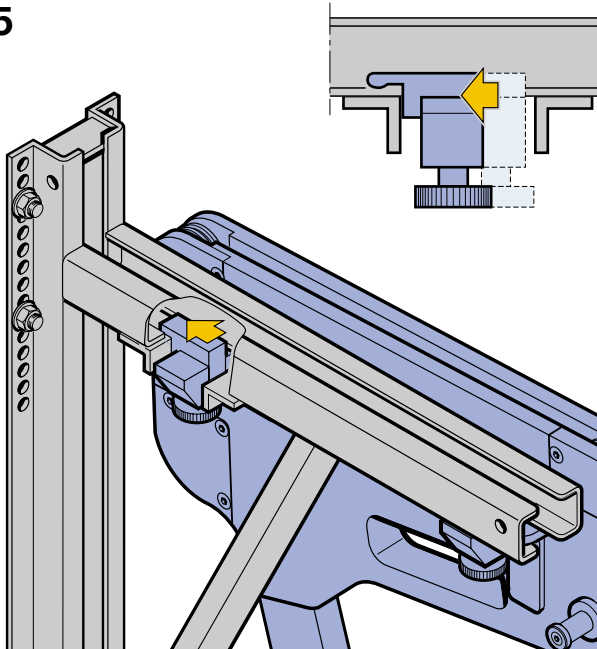
2.3



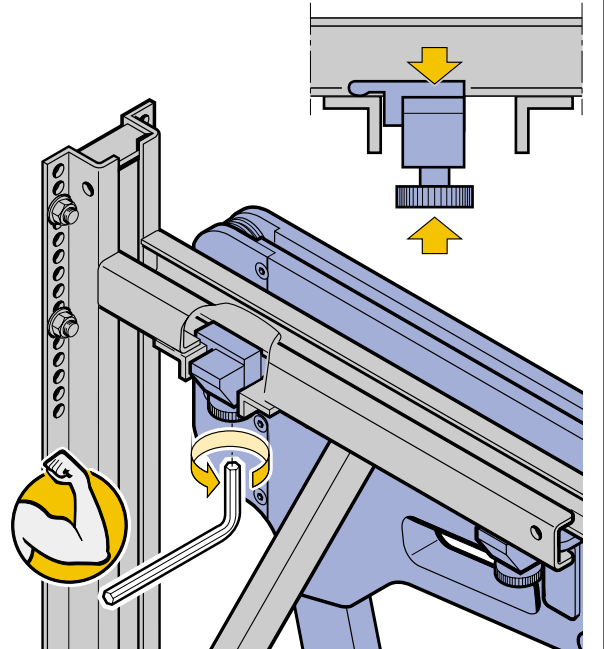
2.4



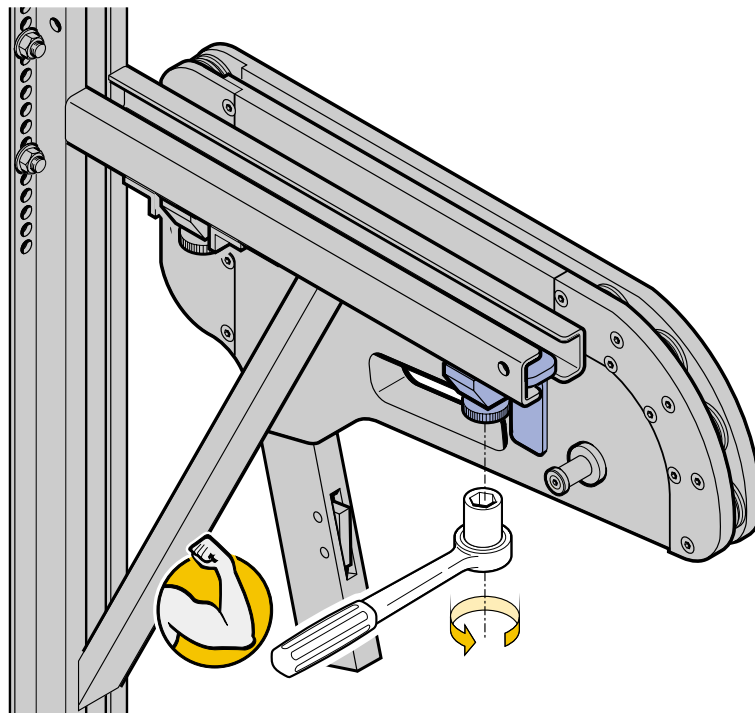
2.5



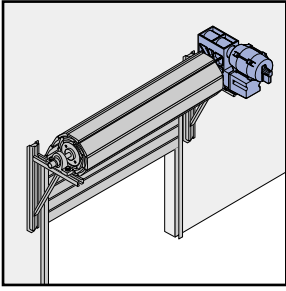
2.6



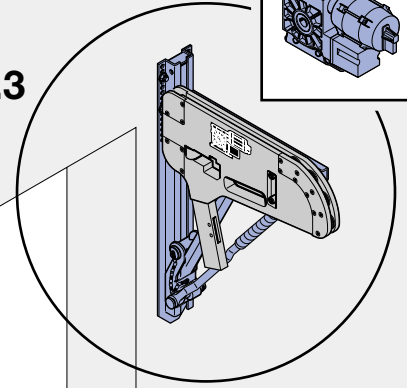
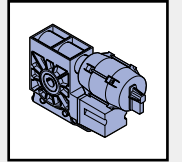
2.7



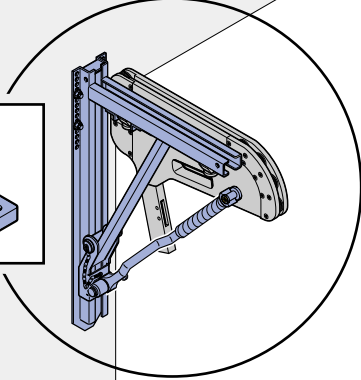
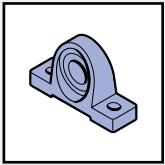
3



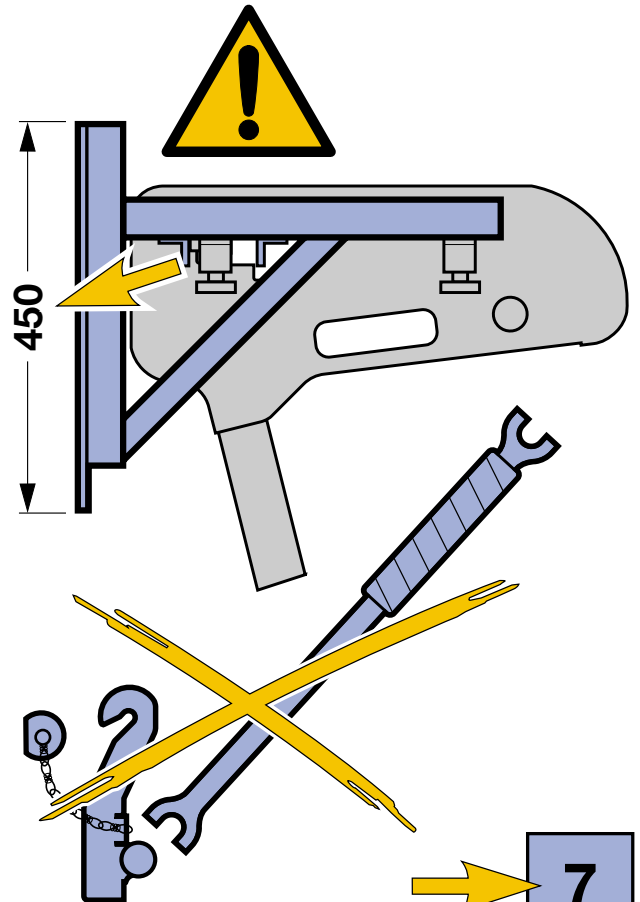
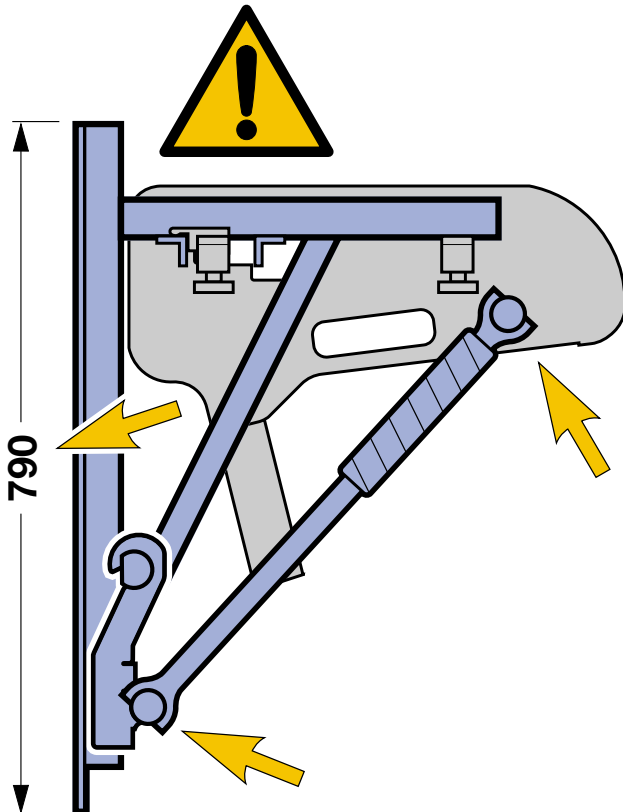
3.1/3.3



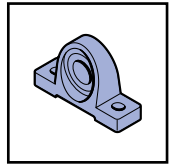
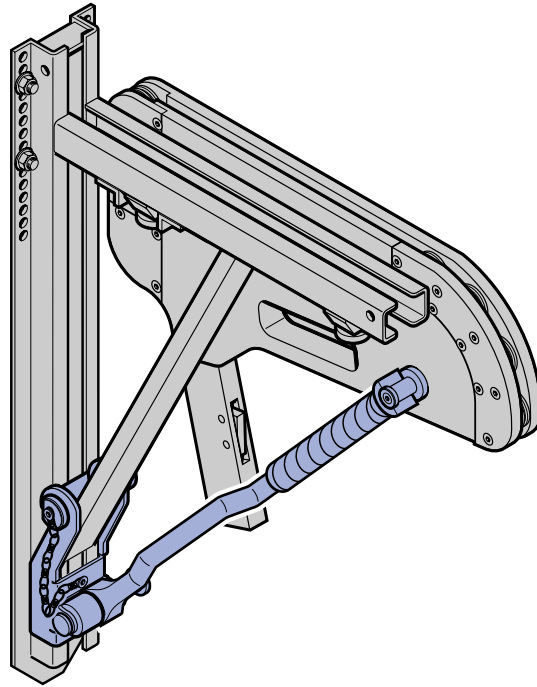
3.1/3.2



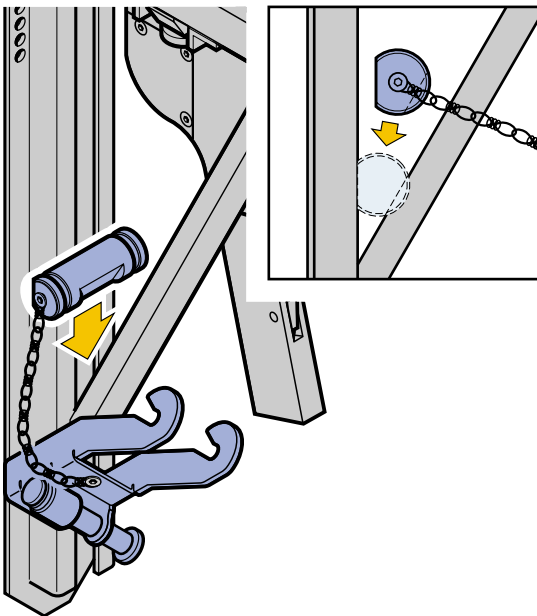
3.1



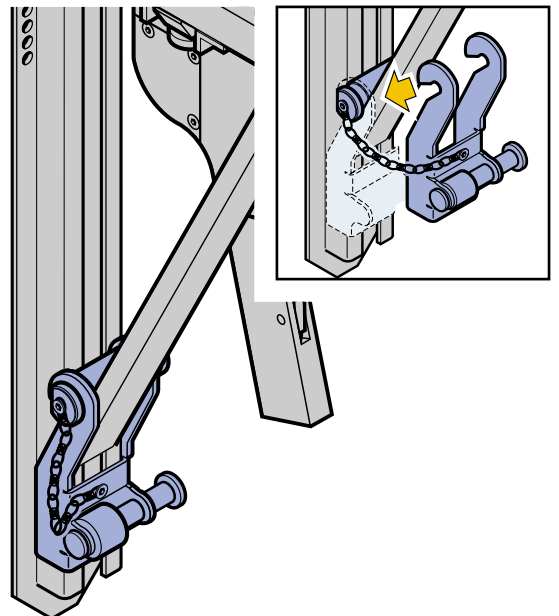
3.2



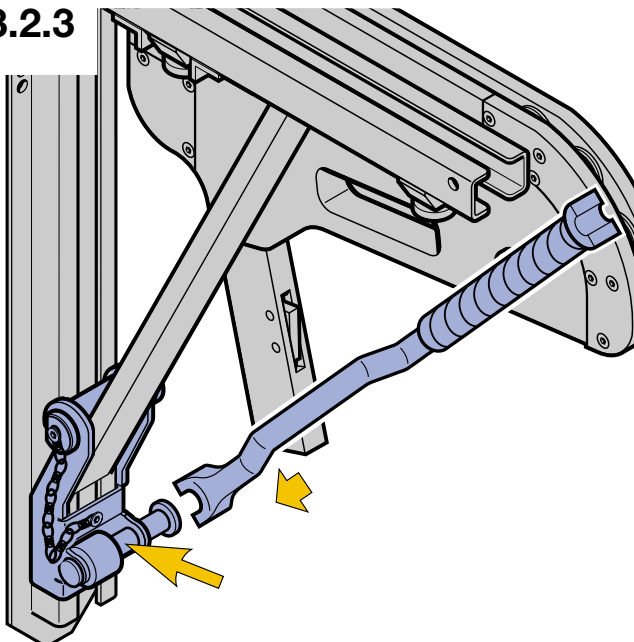
3.2.1



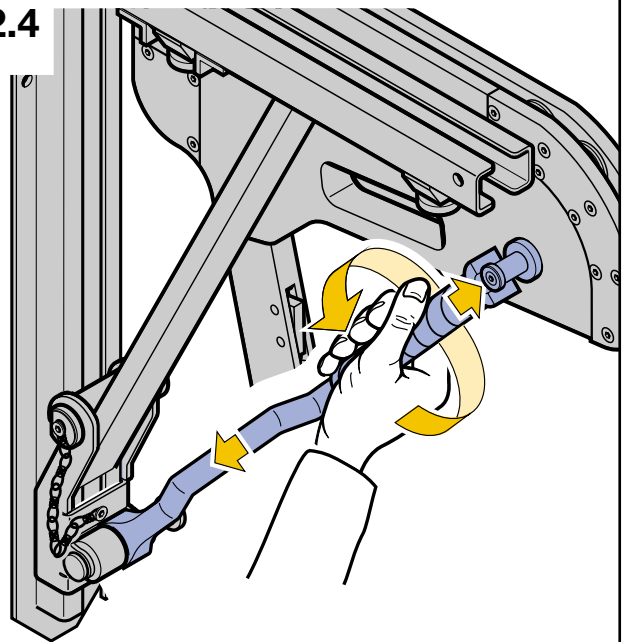
3.2.2



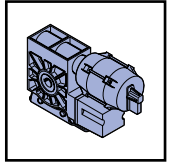
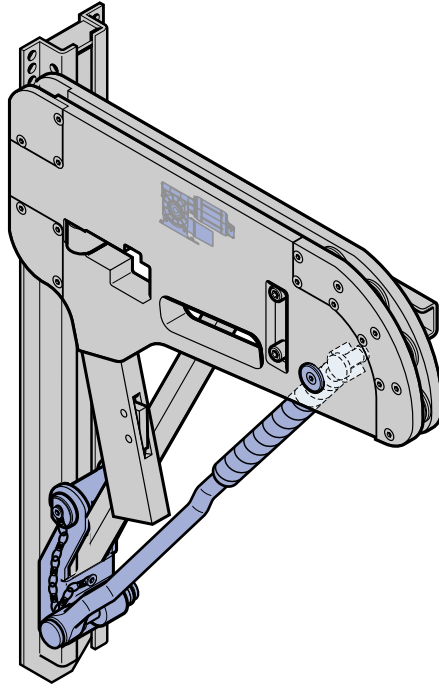
3.2.3



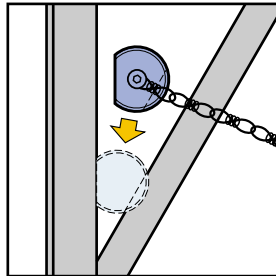
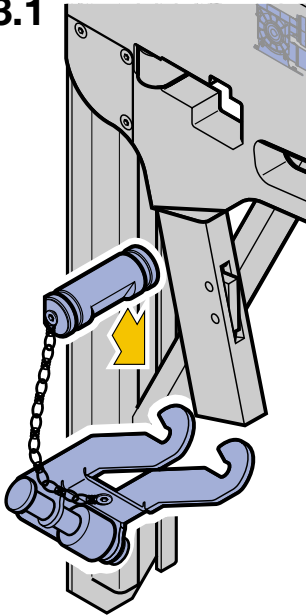
3.2.4



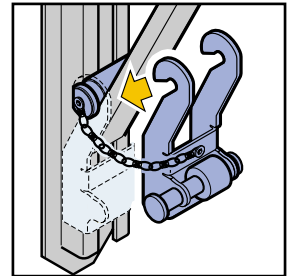
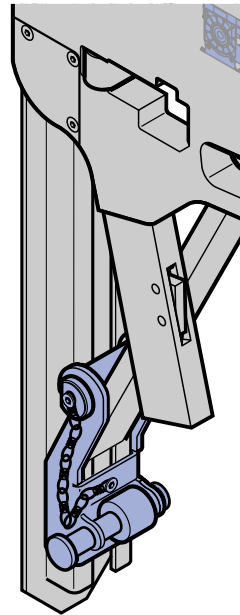
3.3



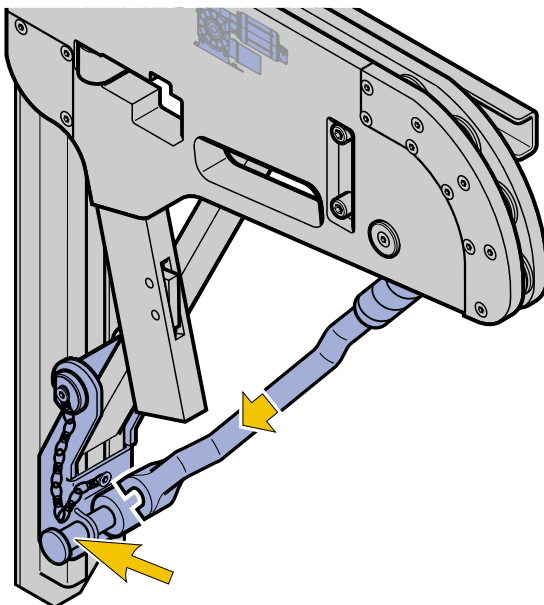
3.3.1



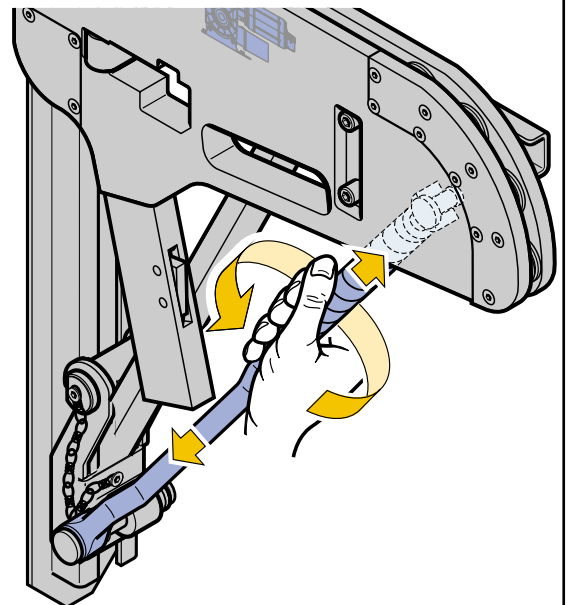
3.3.2



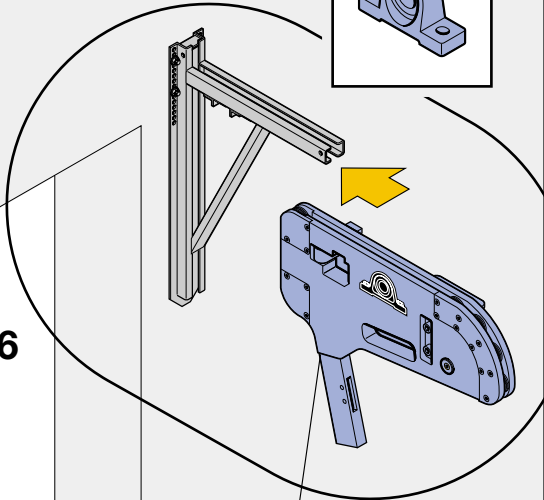
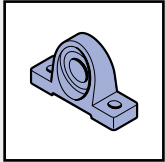
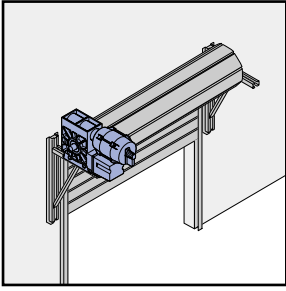
3.3.3



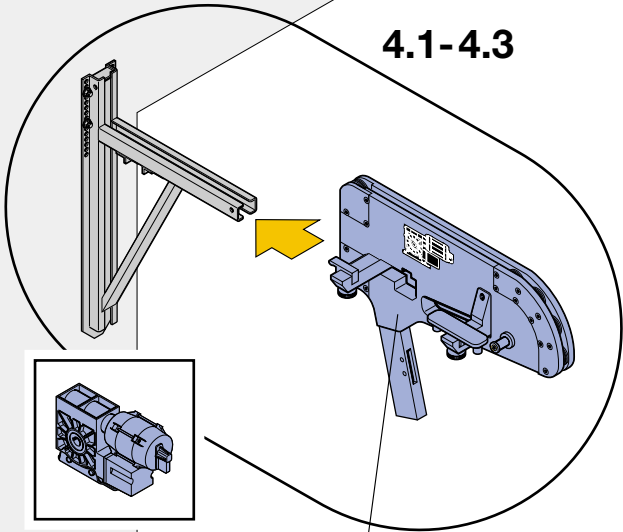
3.3.4



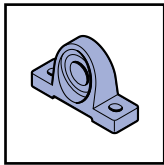
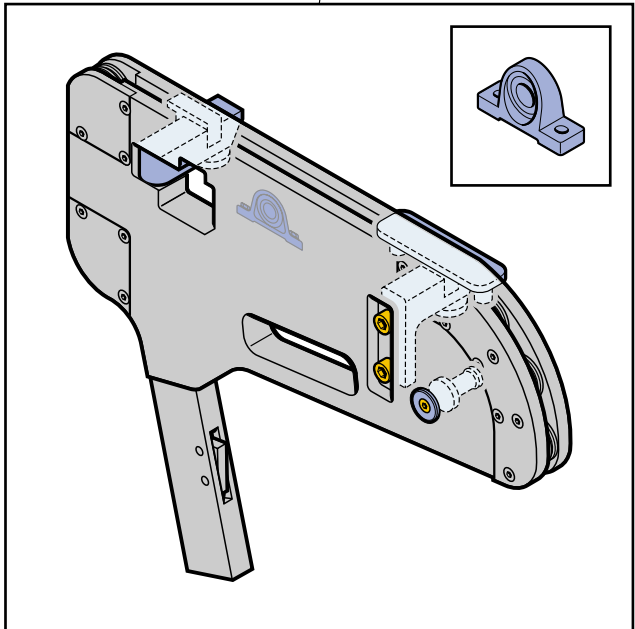
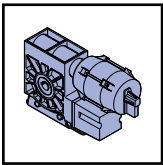
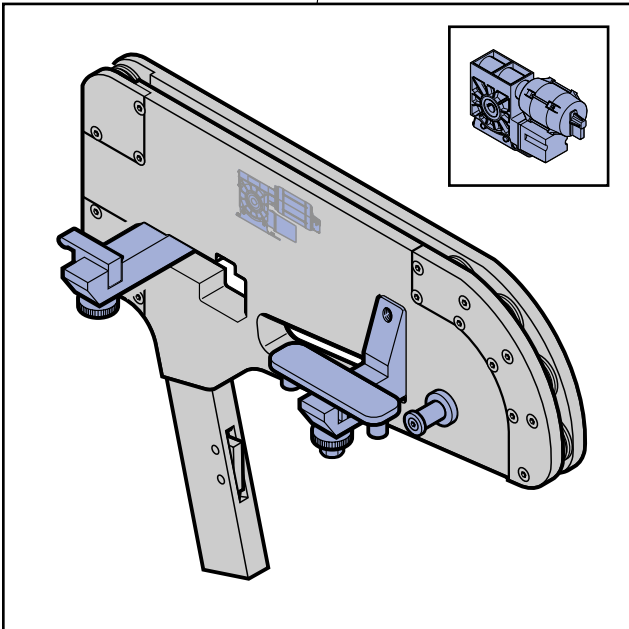
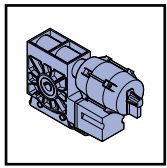
4



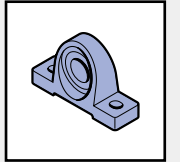
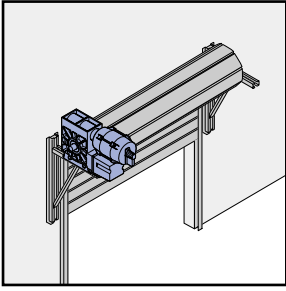
4.4-4.6



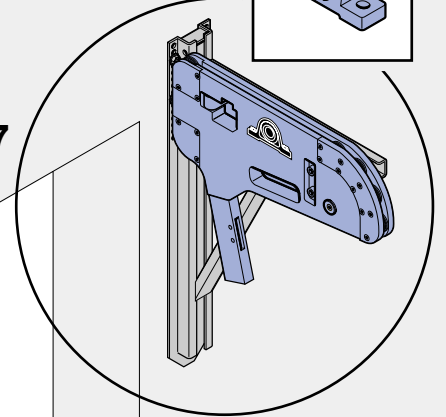
4.1-4.3



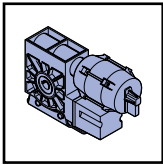
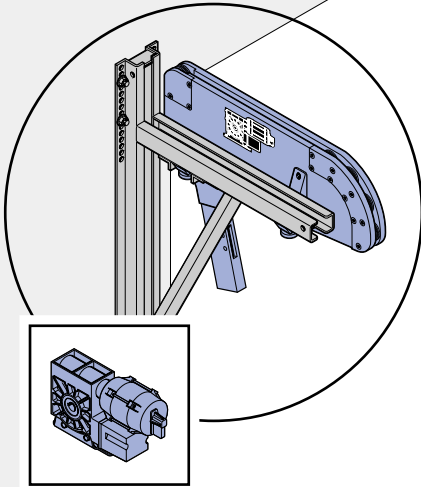
5



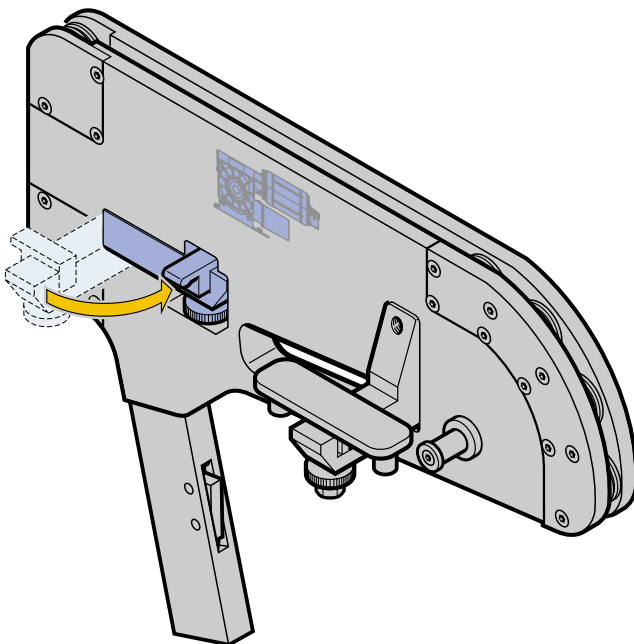
5.1-5.7



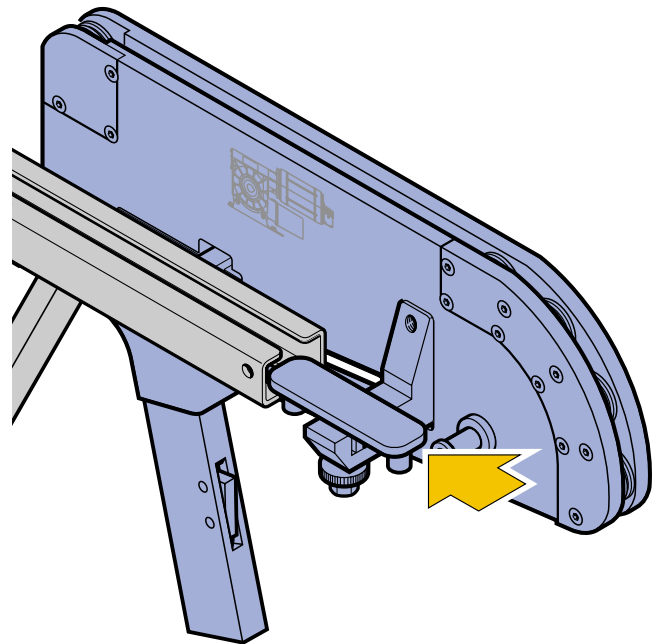
5.1-5.7



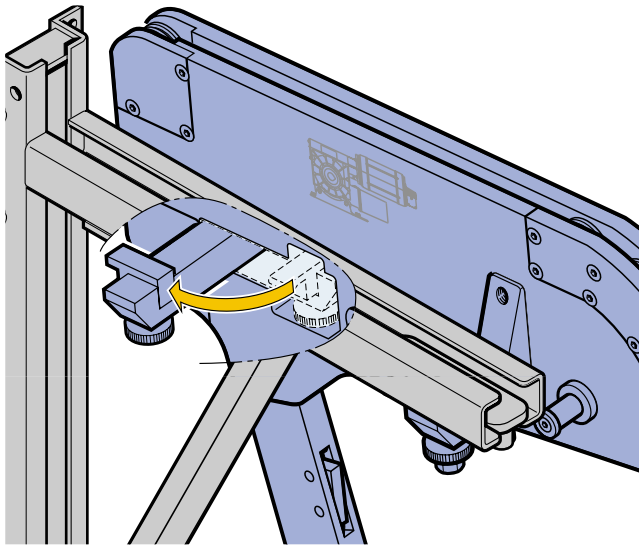
5.1



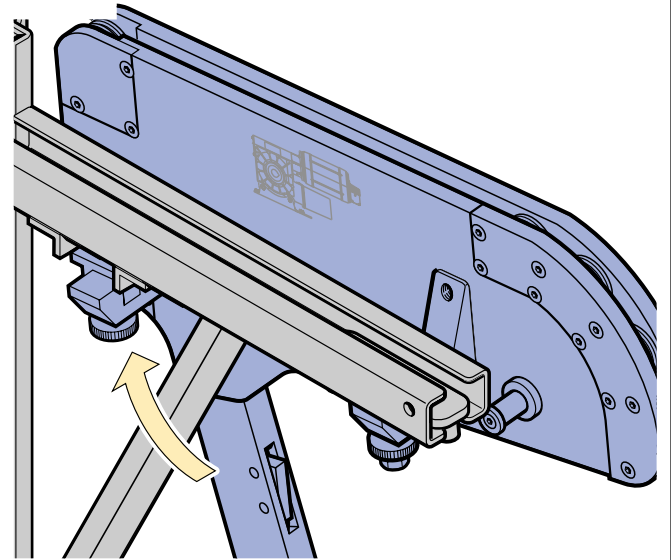
5.2



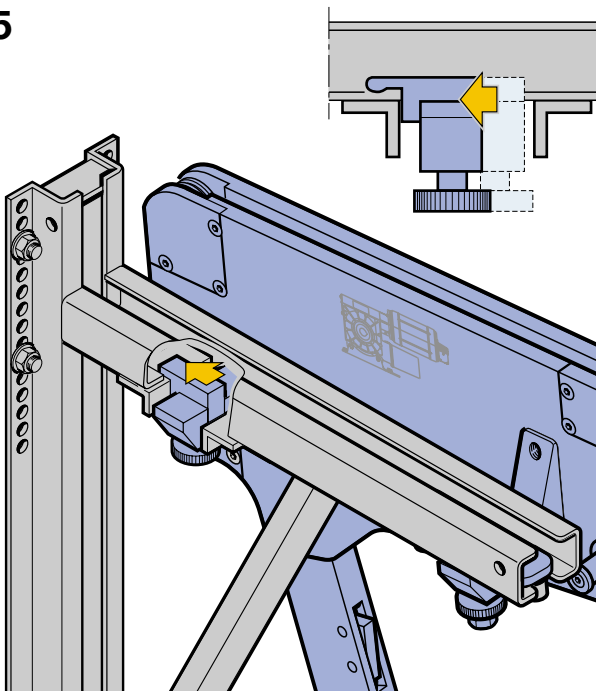
5.3



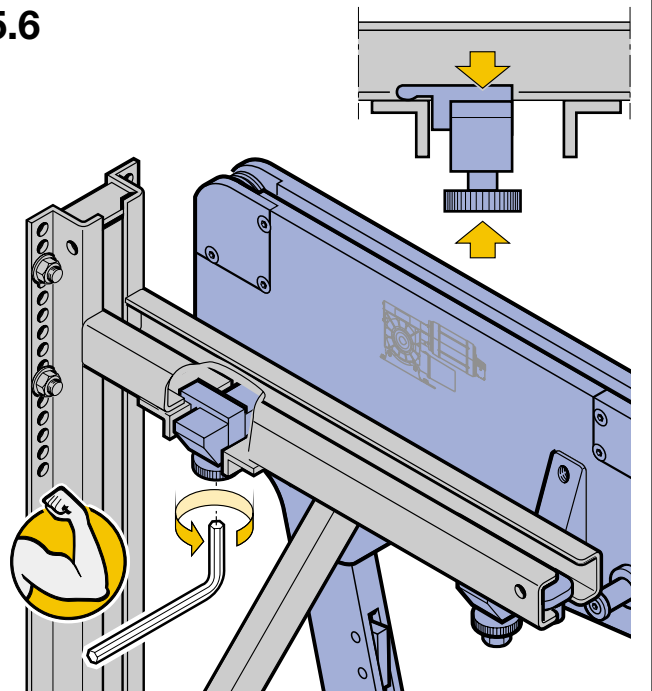
5.4



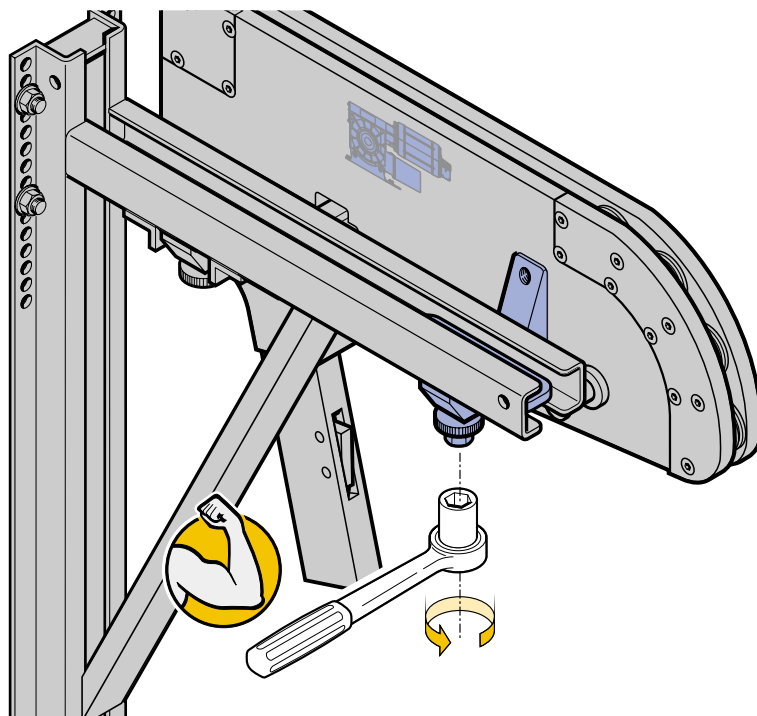
5.5



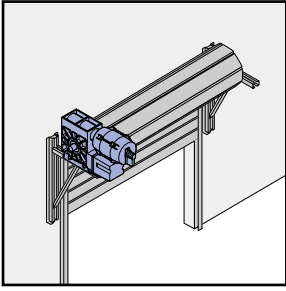
5.6



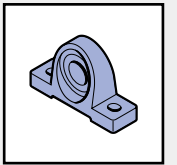
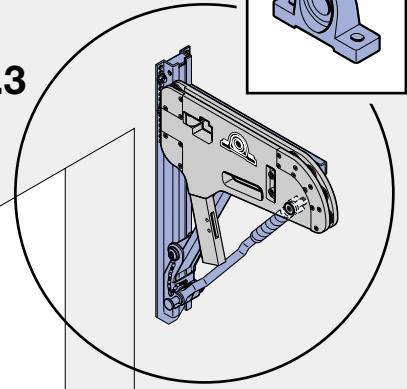
5.7



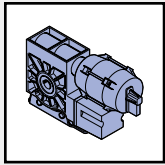
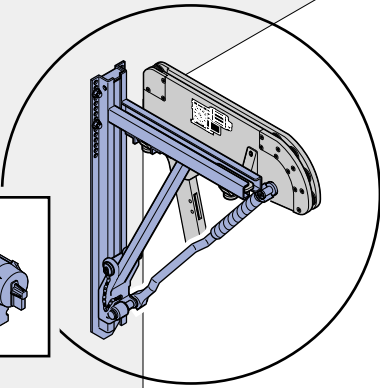
6



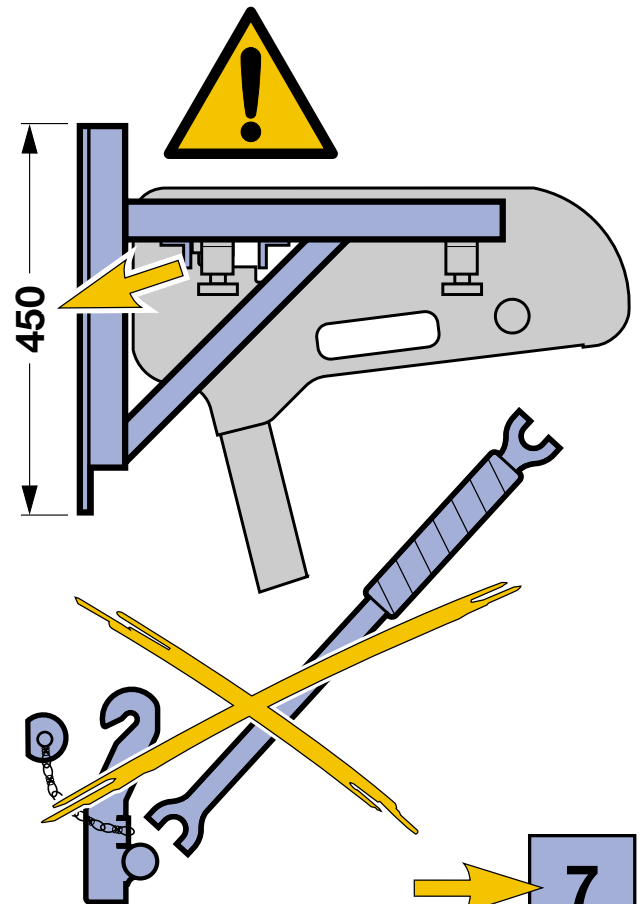
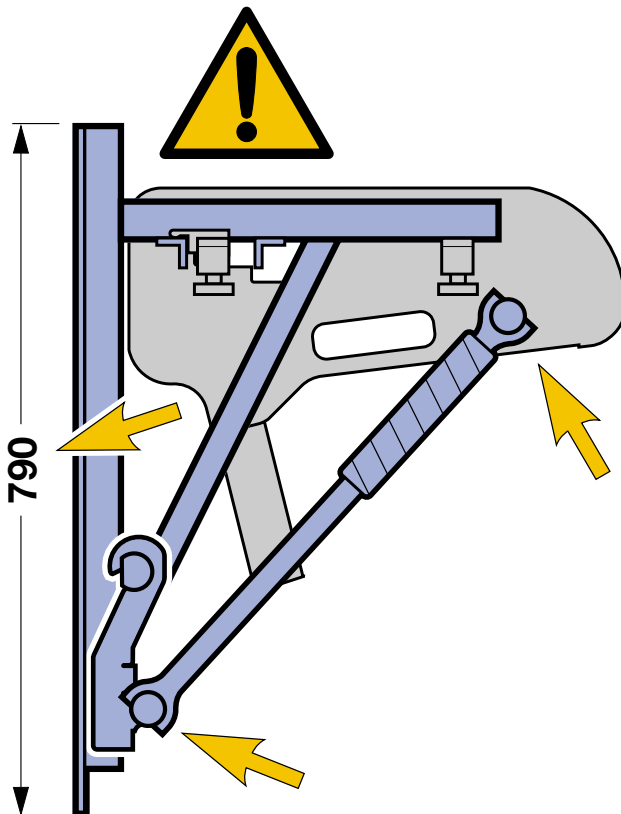
6.1/6.3



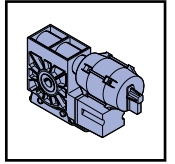
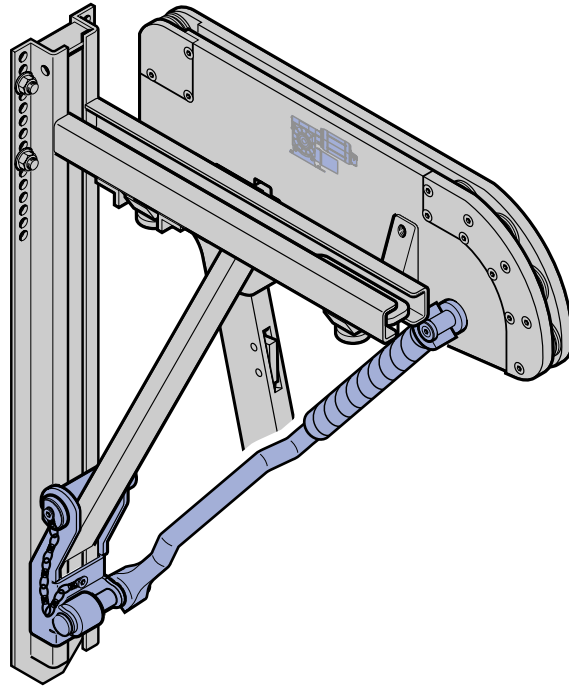
6.1/6.2



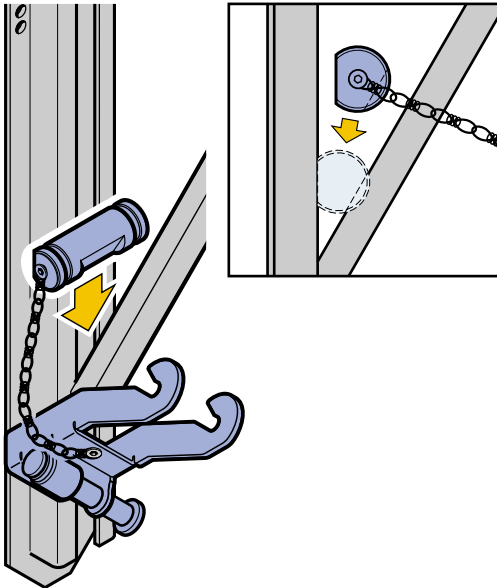
6.1



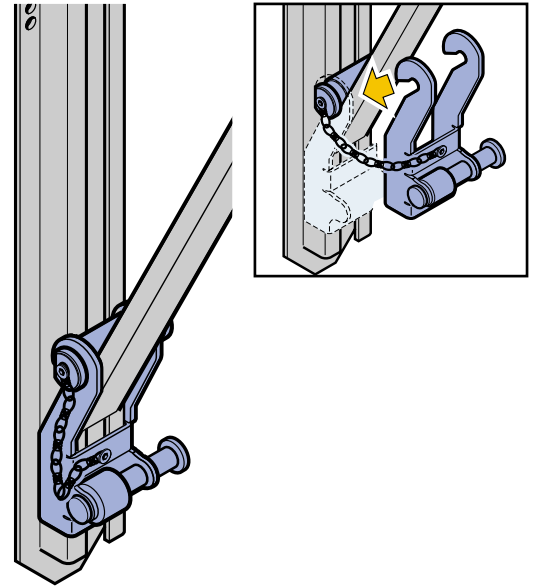
6.2



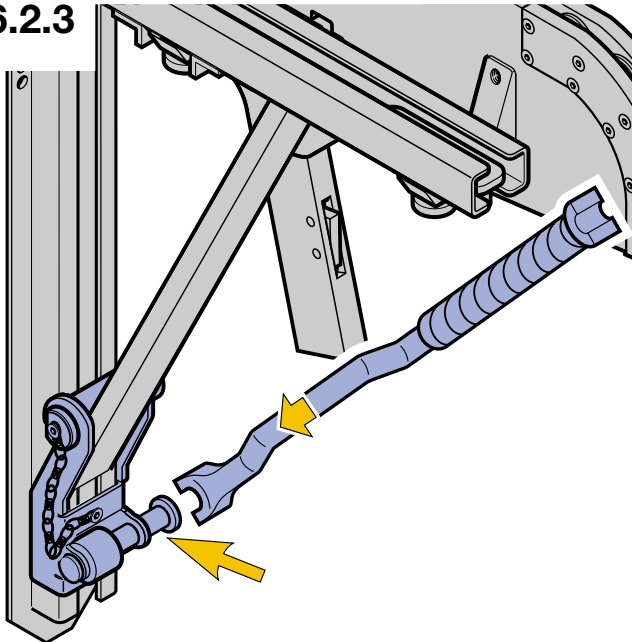
6.2.1



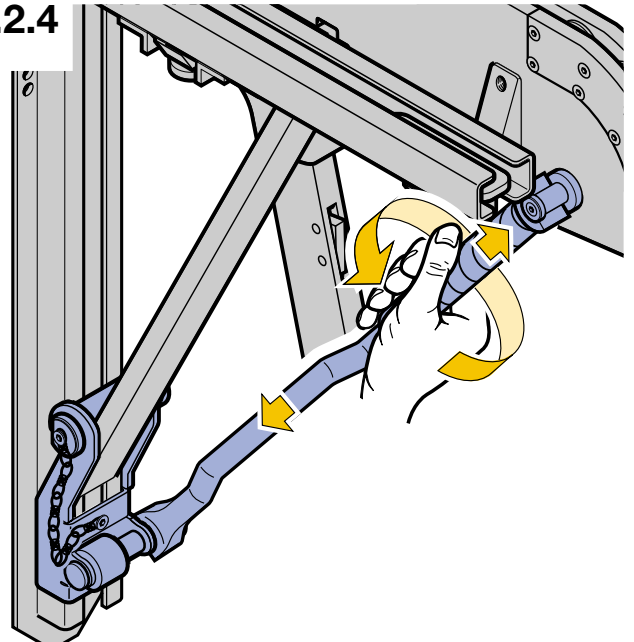
6.2.2



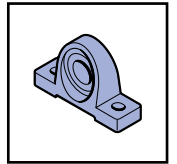
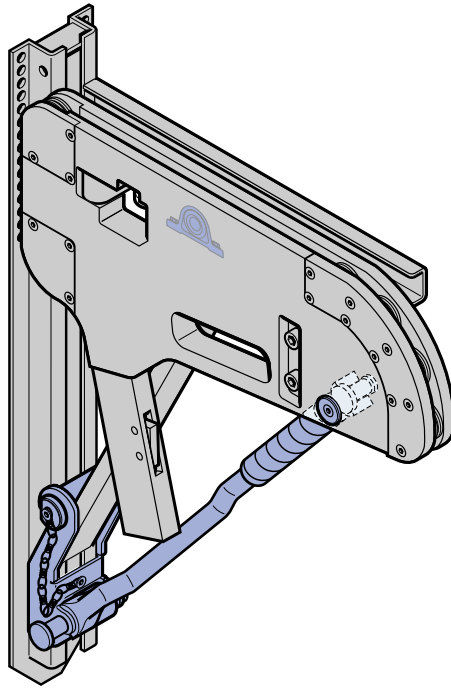
6.2.3



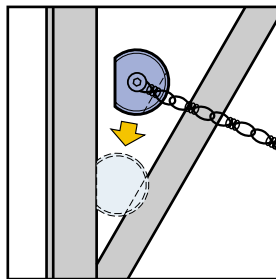
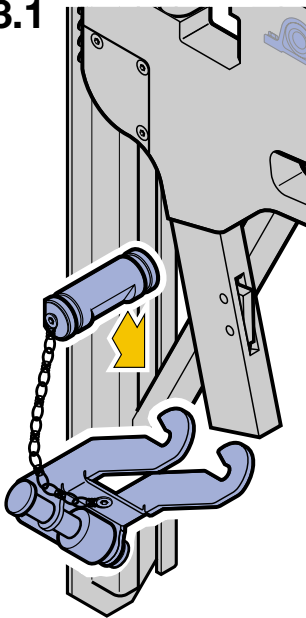
6.2.4



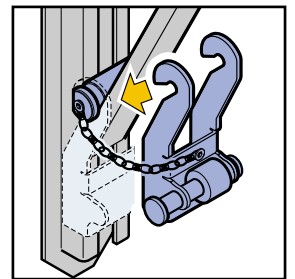
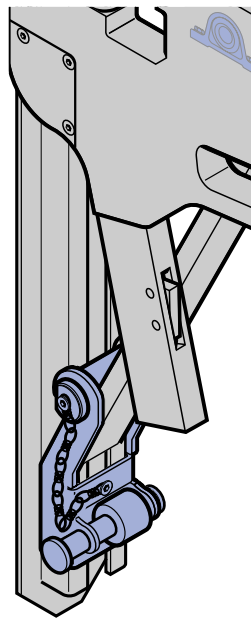
6.3



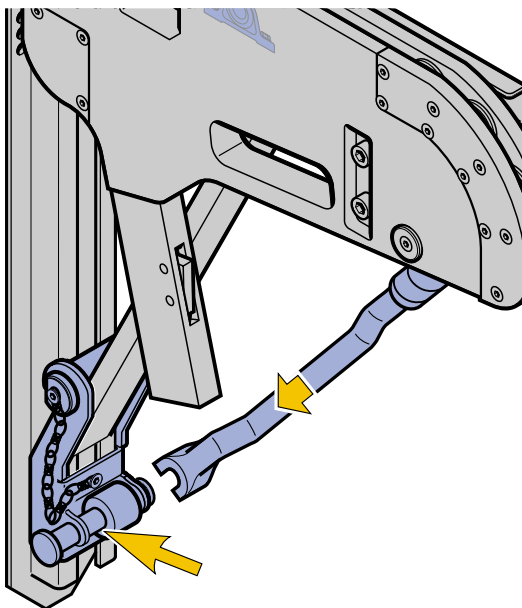
6.3.1



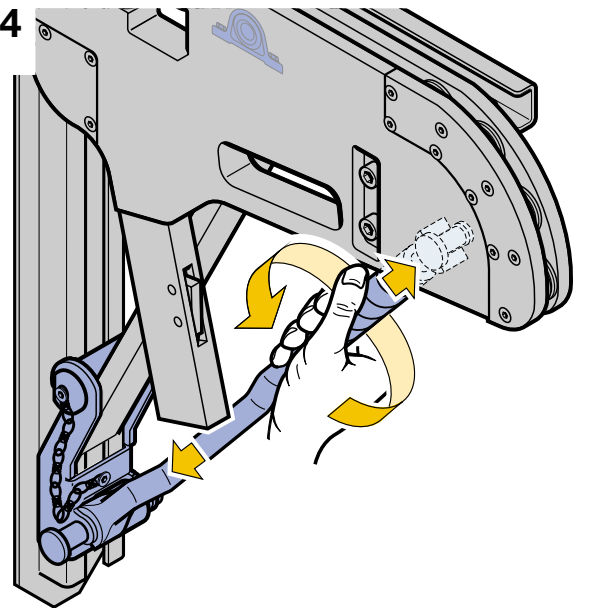
6.3.2



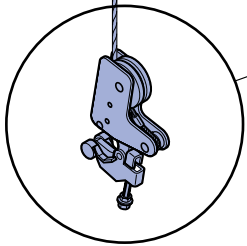
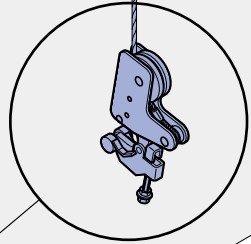
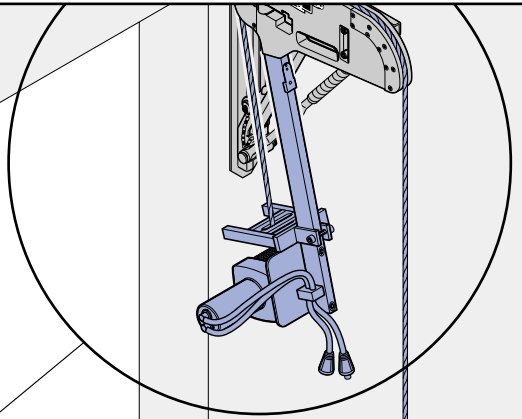
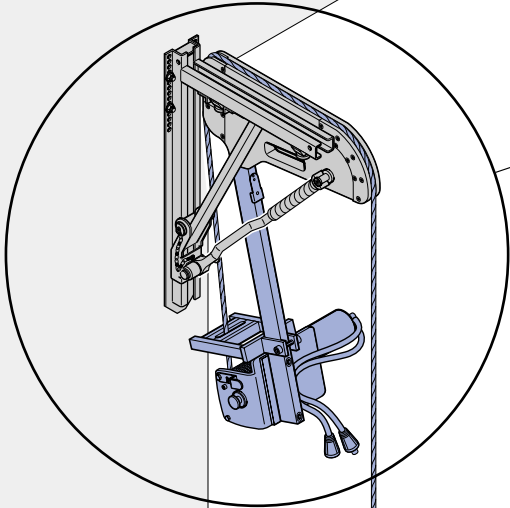
6.3.3



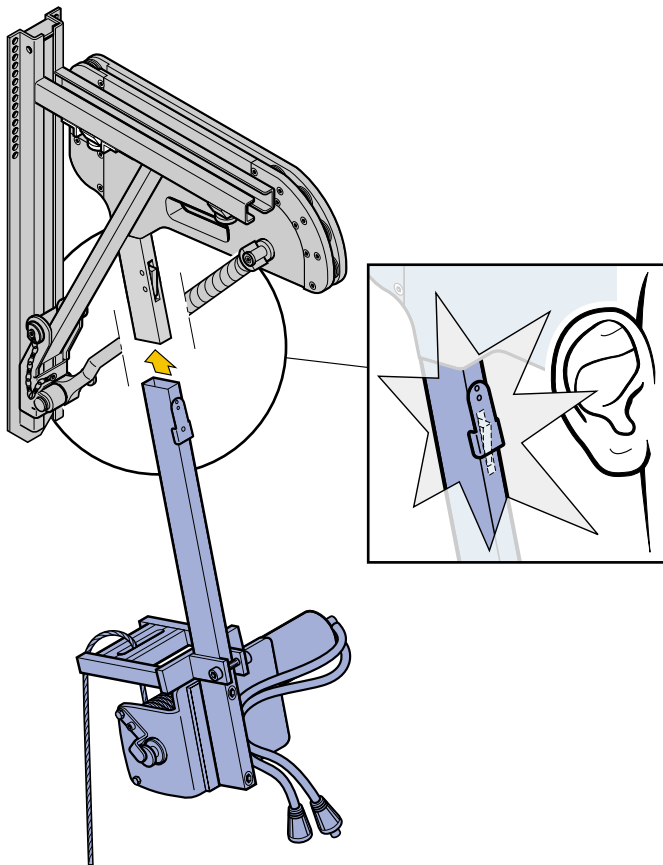
6.3.4



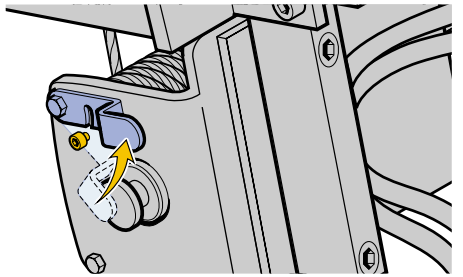
7



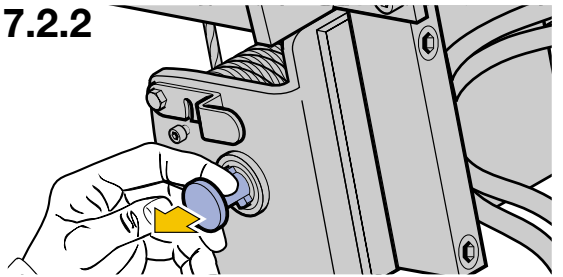
7.1



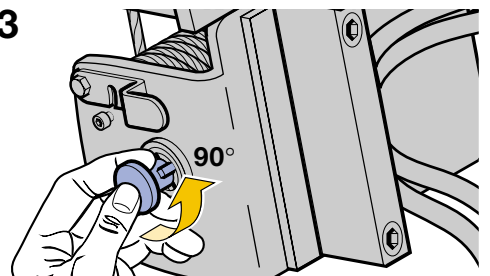
7.2.1



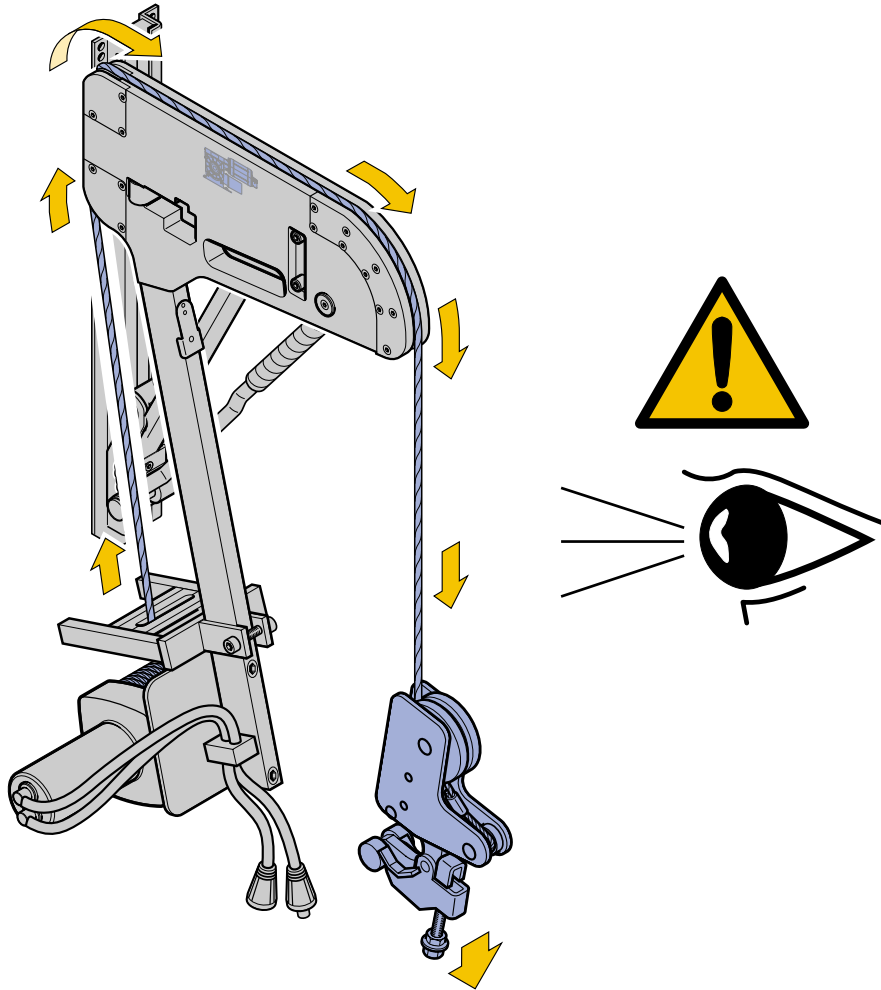
7.2.2



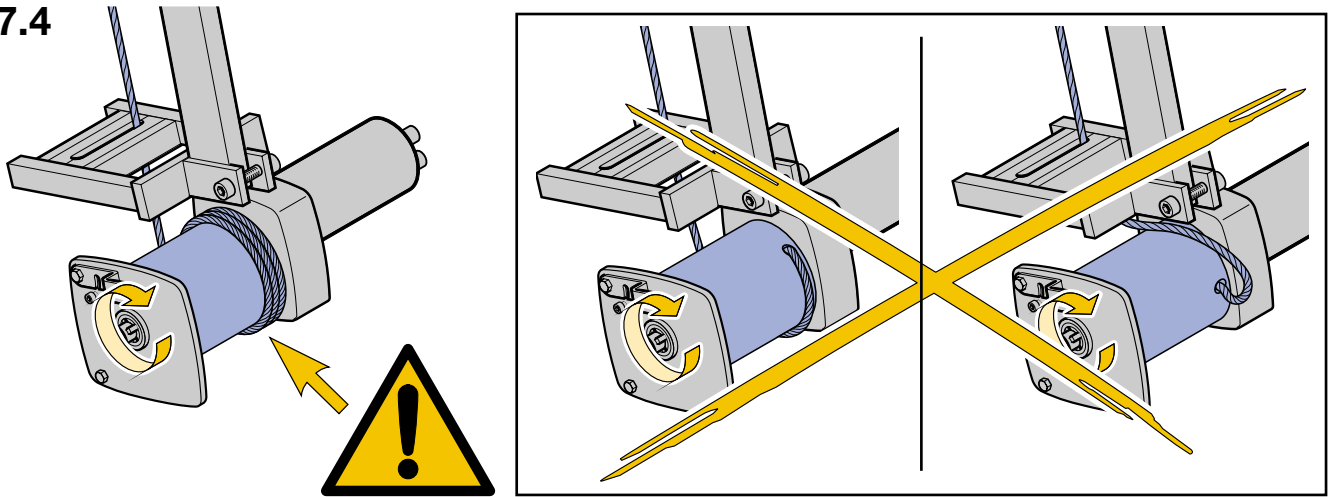
7.2.3



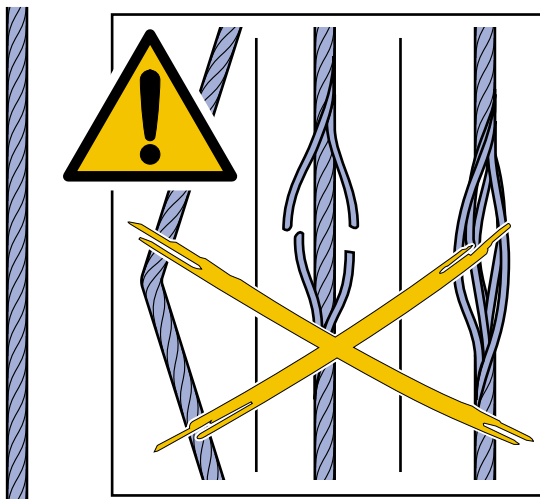
7.3



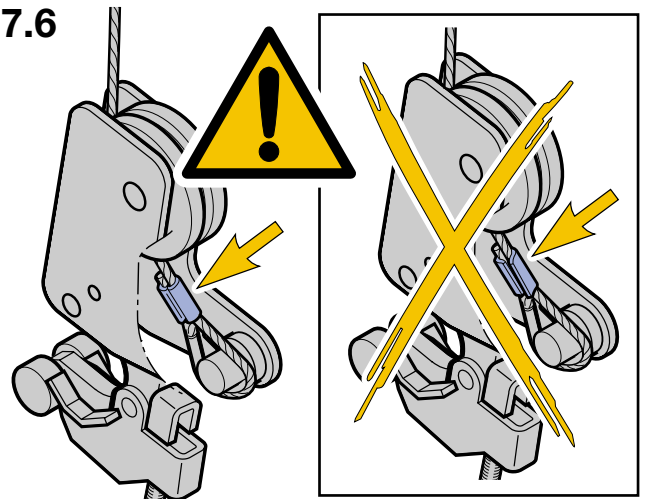
7.4



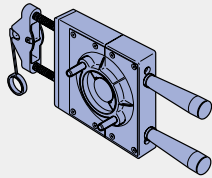
7.5



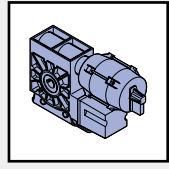
7.6



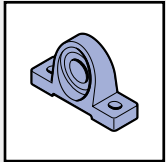
8a



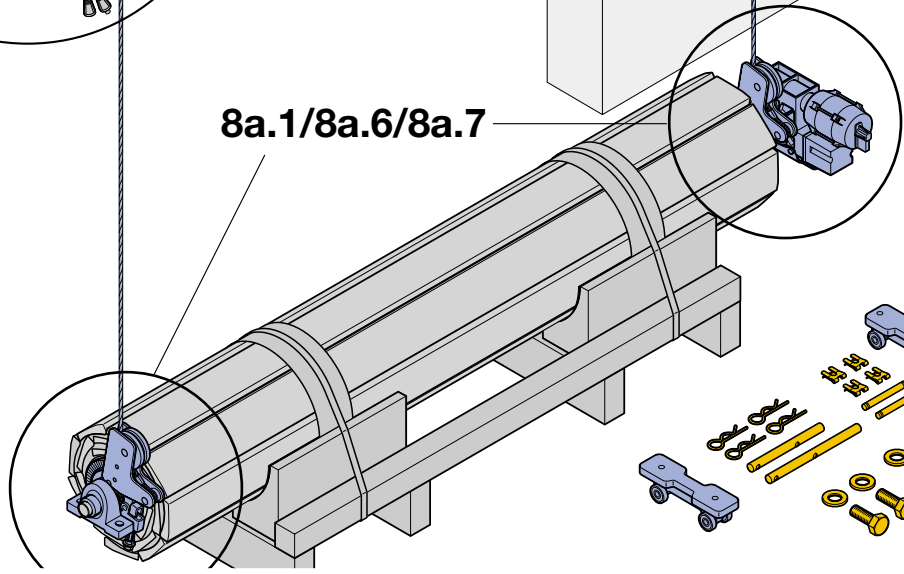
8a.4/8a.5



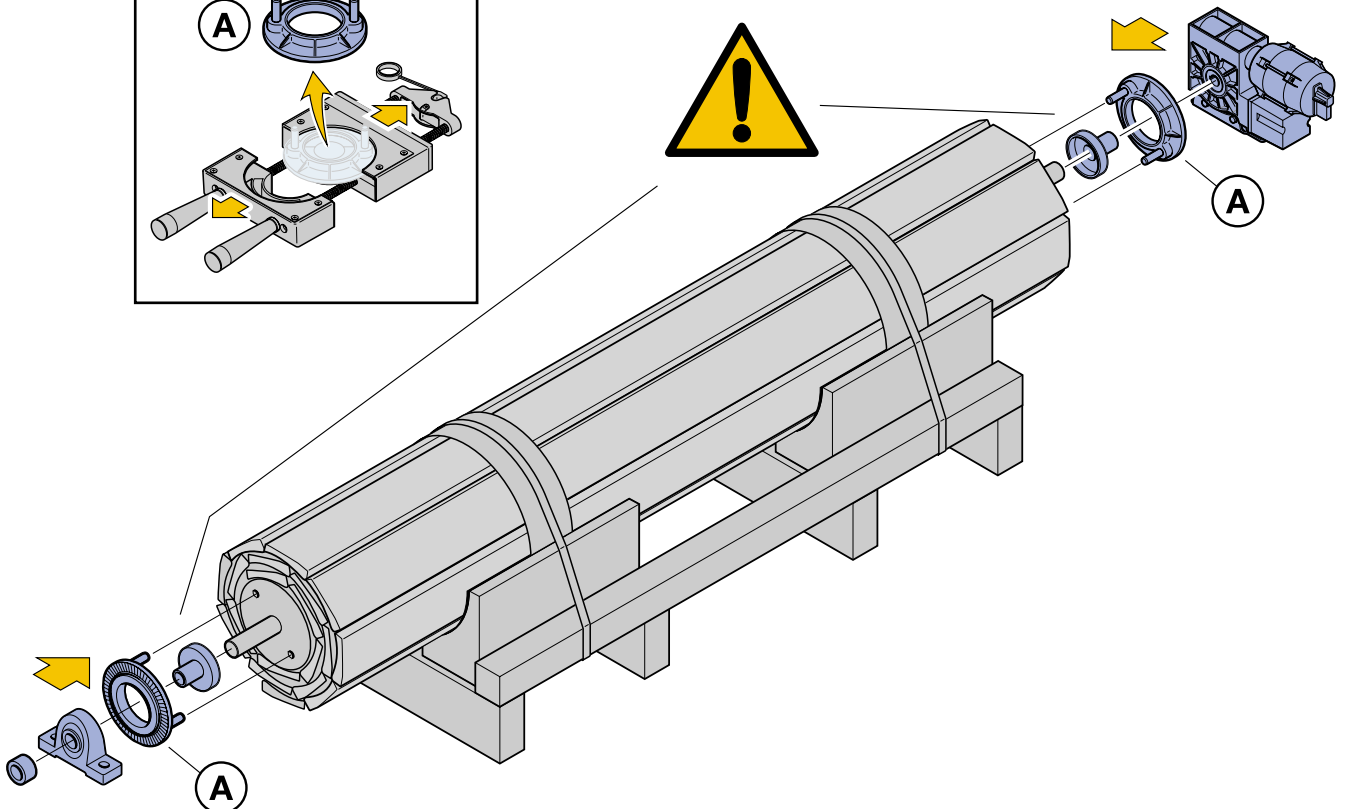
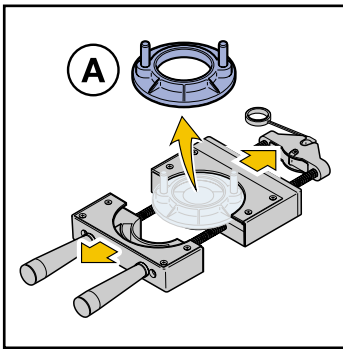
8a.2/8a.3



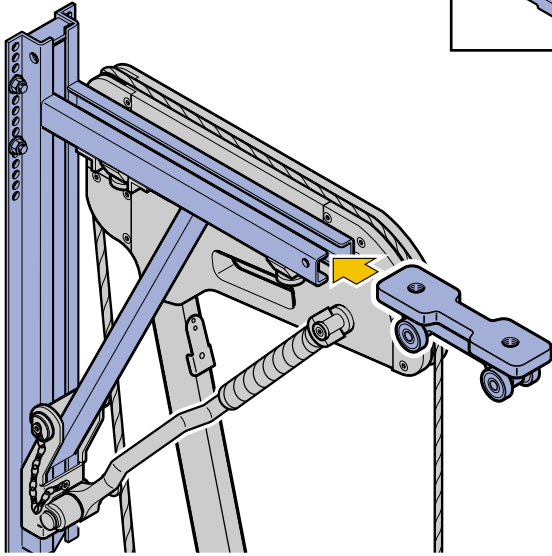
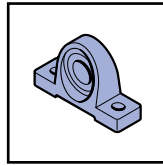
8a.1/8a.6/8a.7



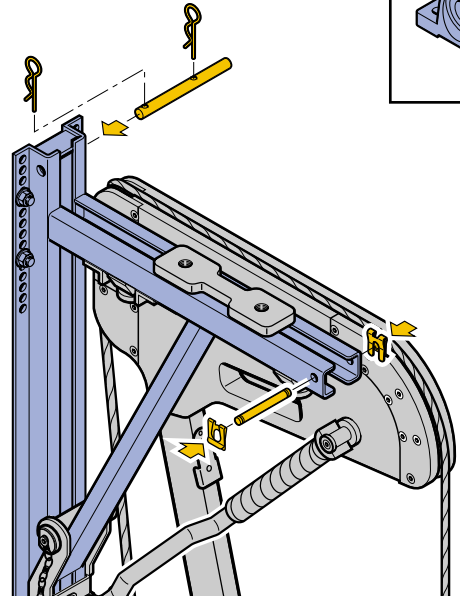
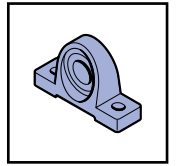
8a.1



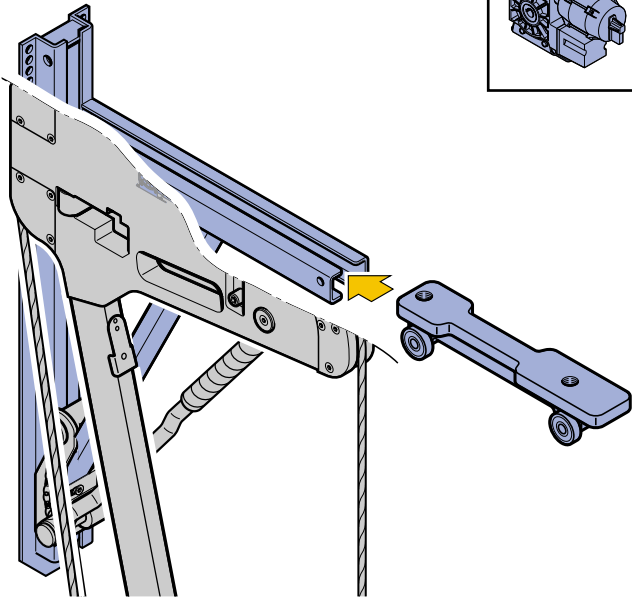
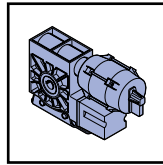
8a.2



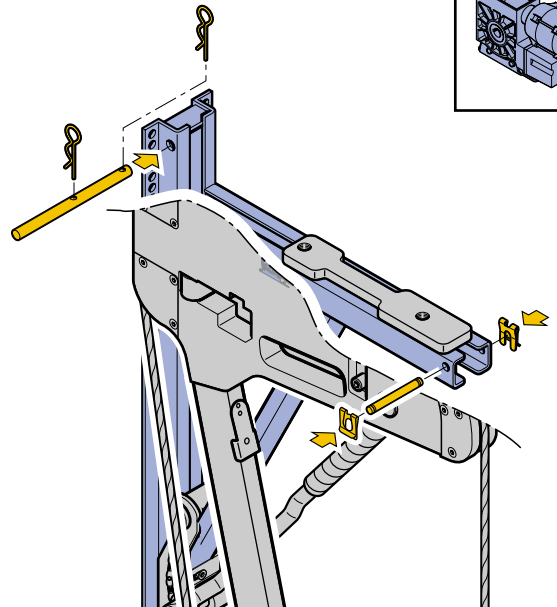
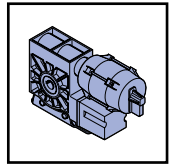
8a.3



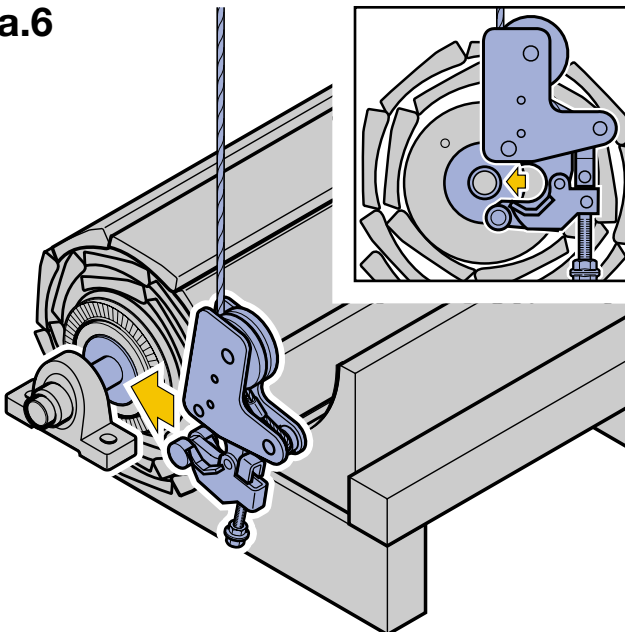
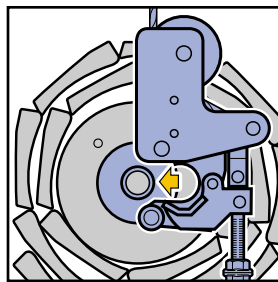
8a.4



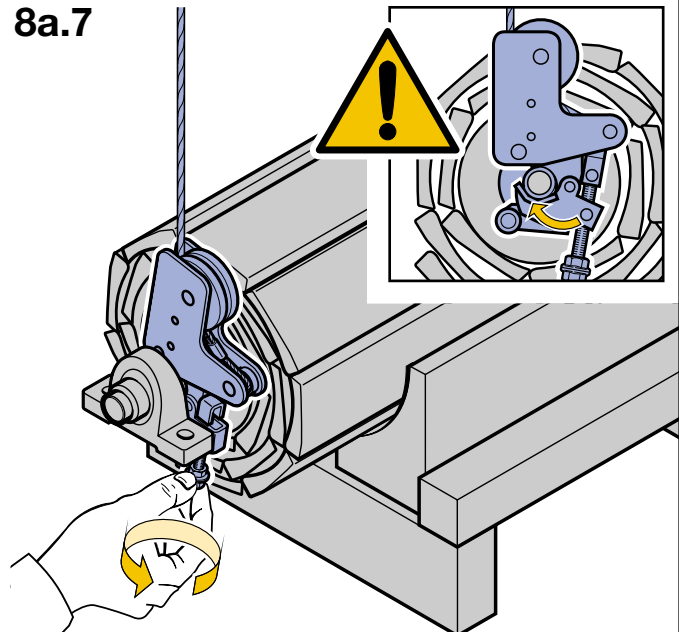
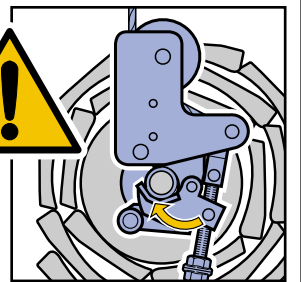
8a.5



8a.6



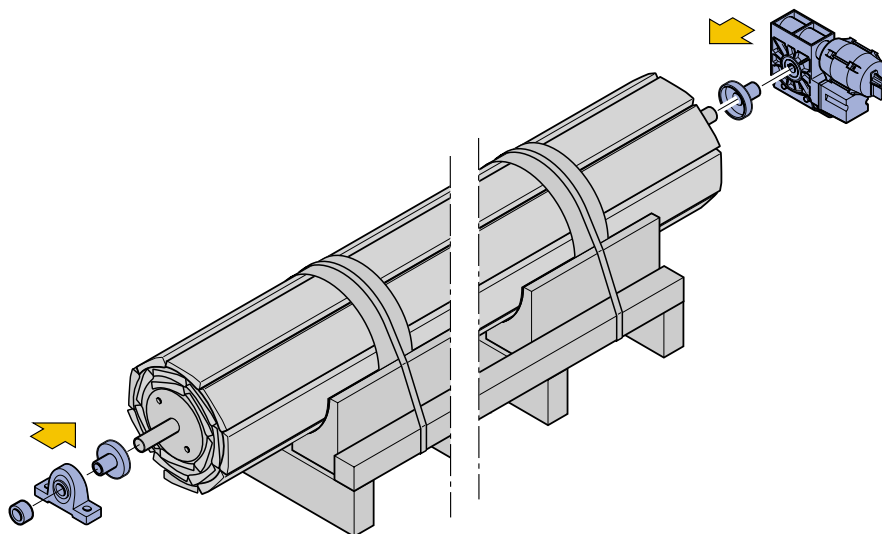
8a.7



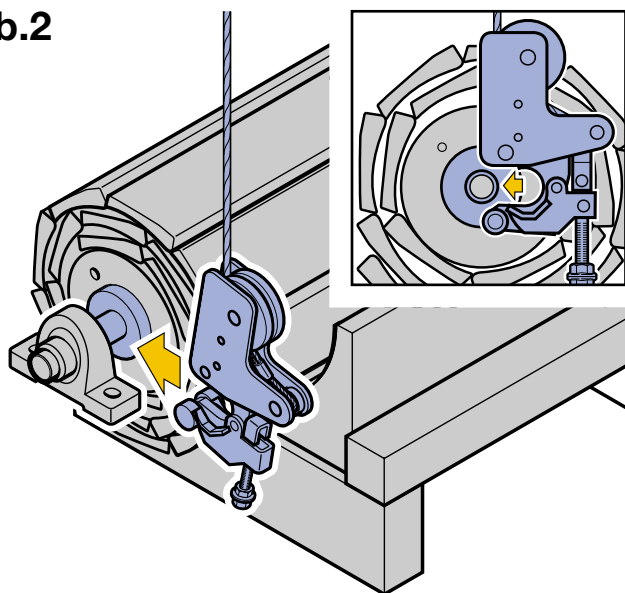
8b

8b.1-8b.3

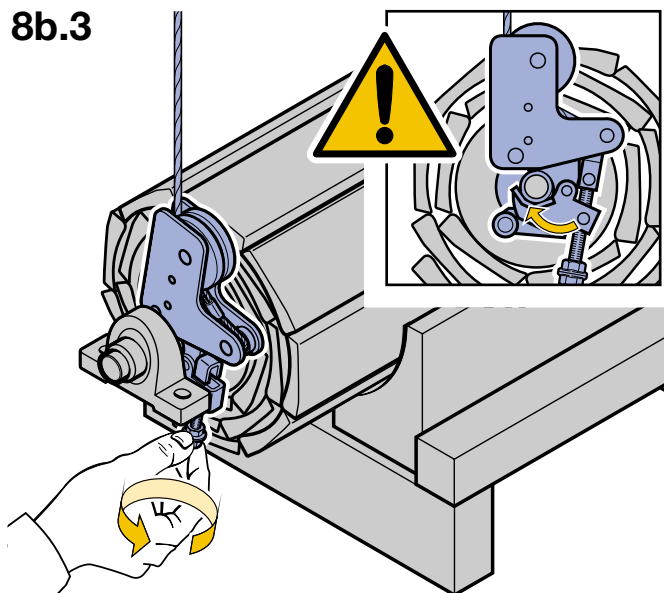
8b.1



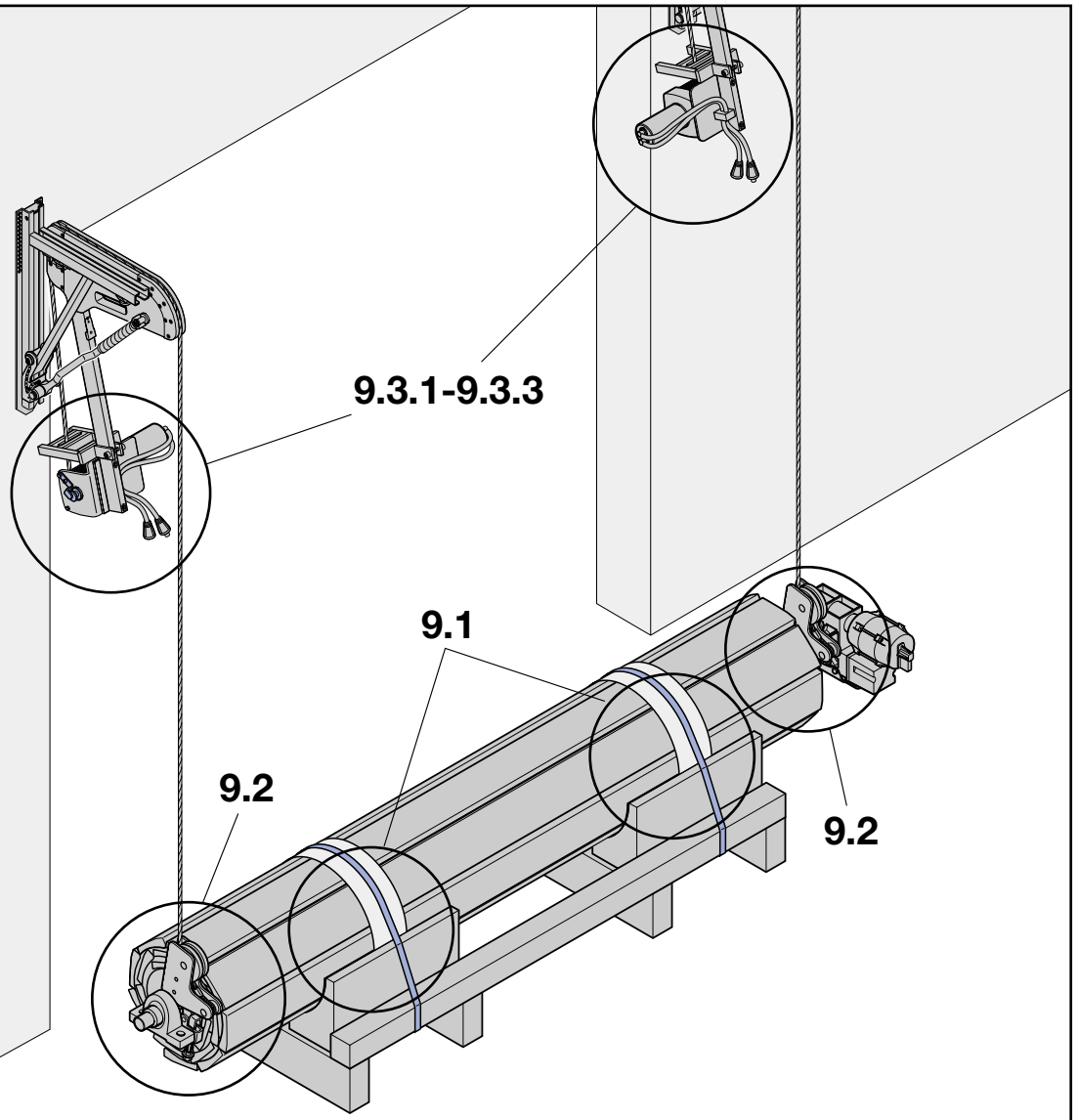
8b.2



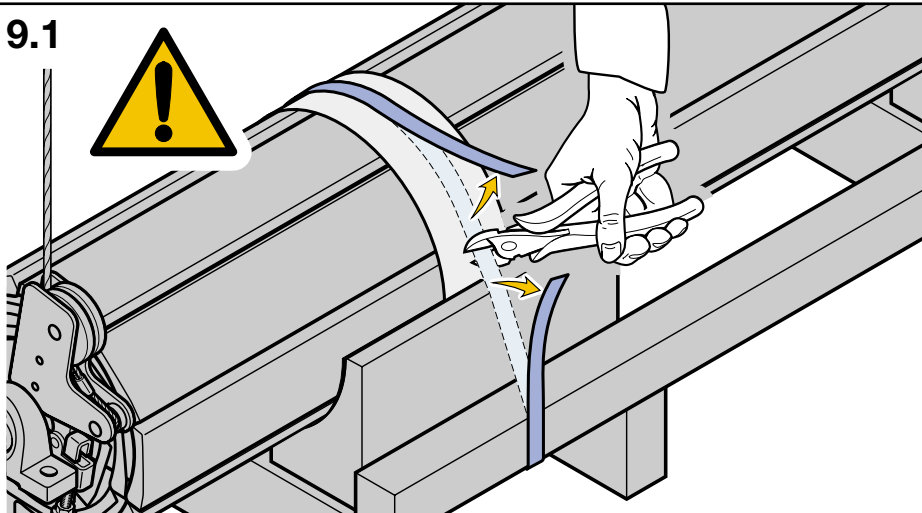
8b.3



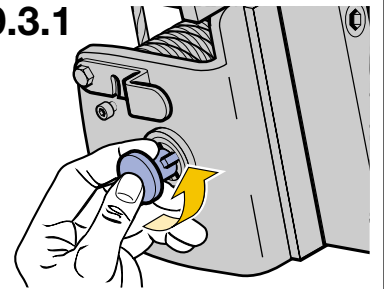
9



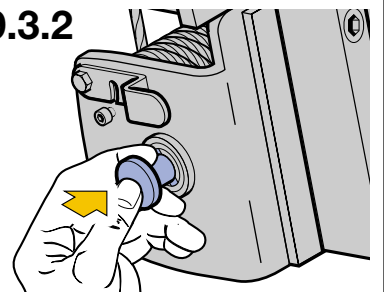
9.1



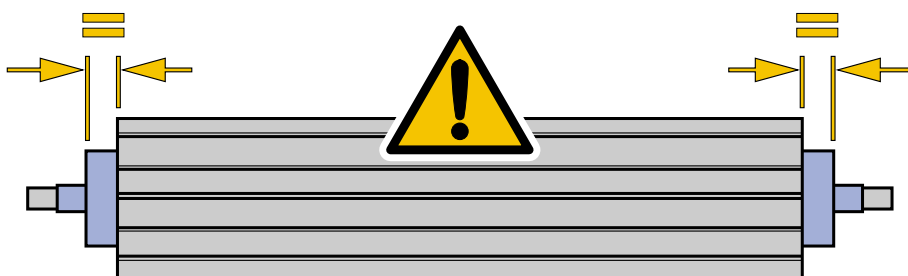
9.3.1



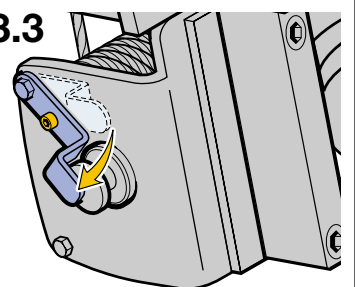
9.3.2



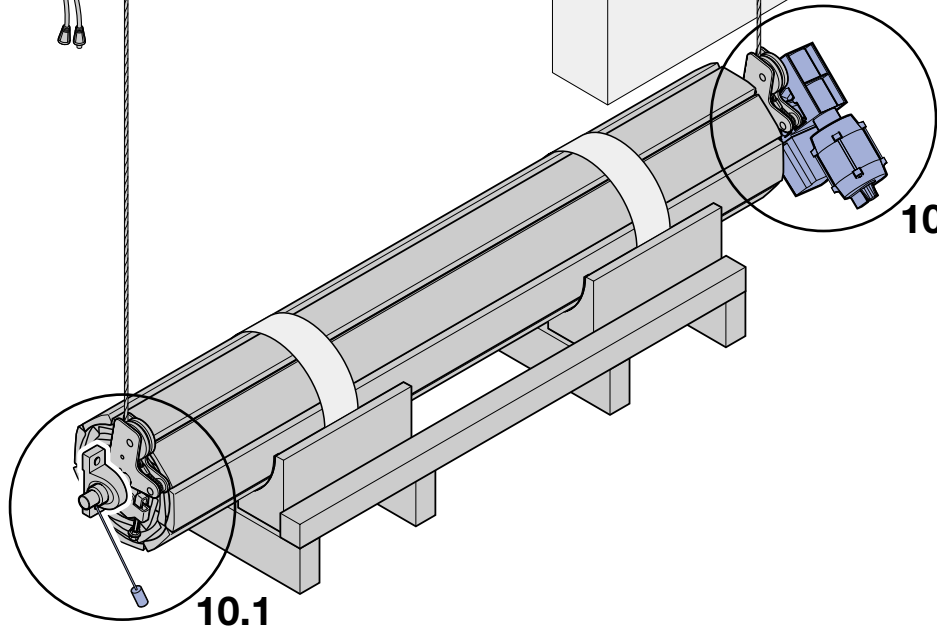
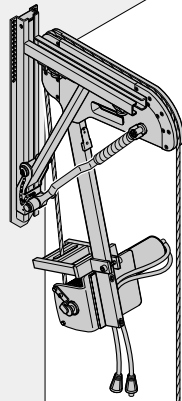
9.2



9.3.3



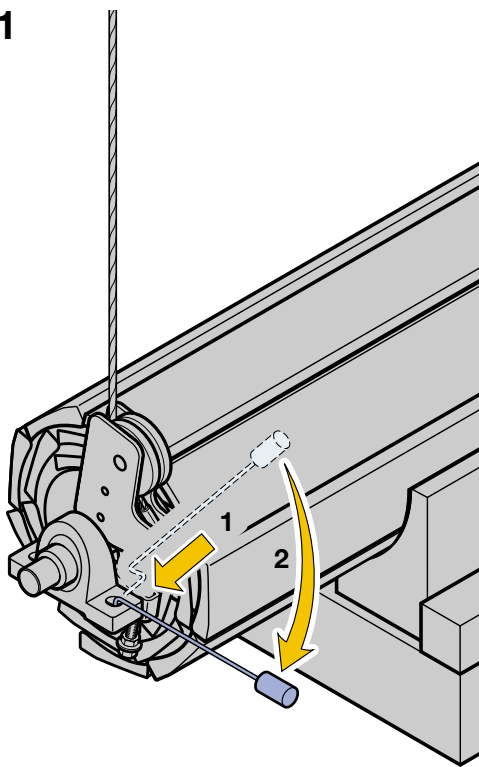
10



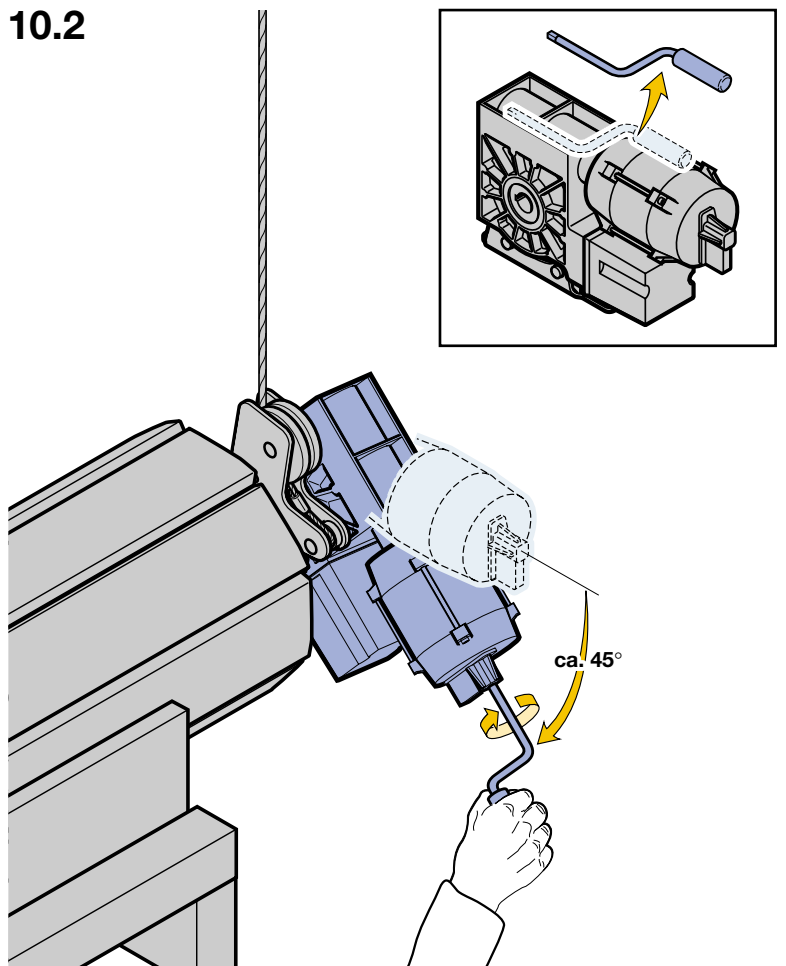
10.1

10.2

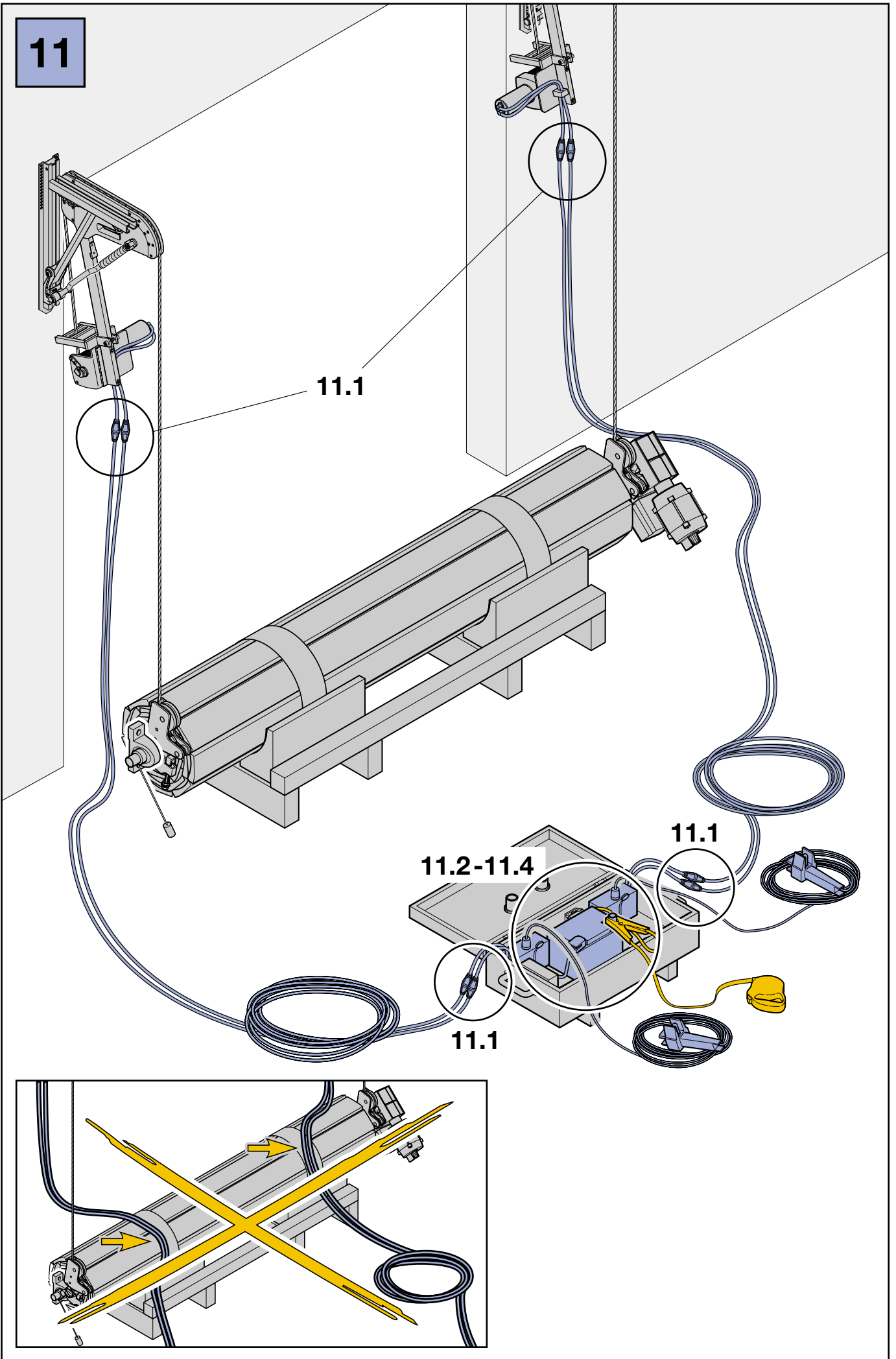
10.1



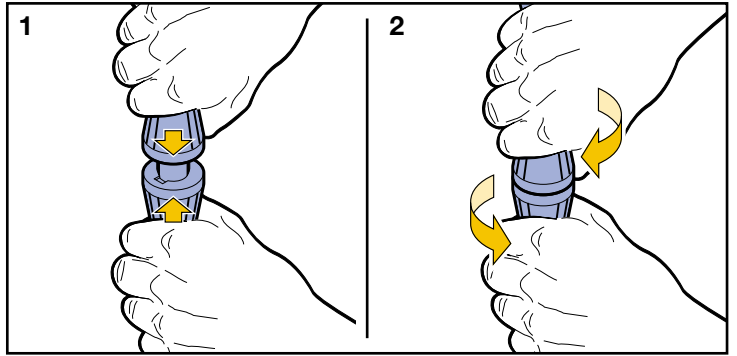
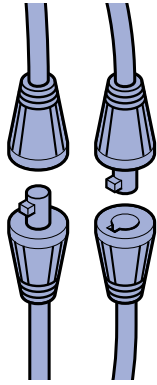
10.2



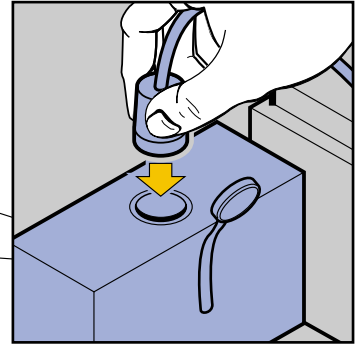
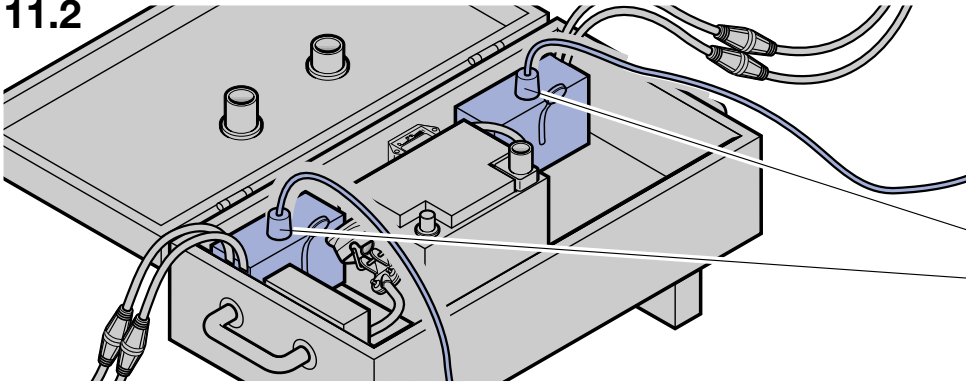
11



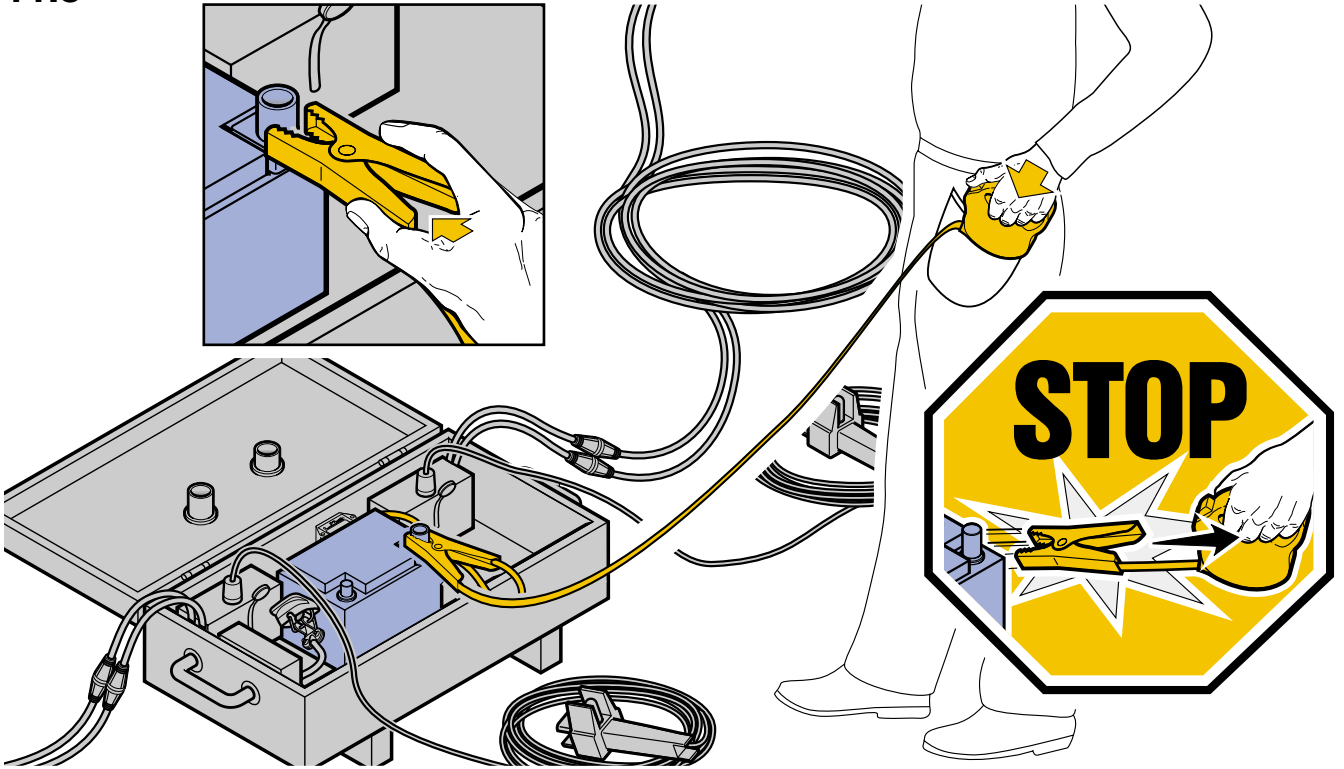
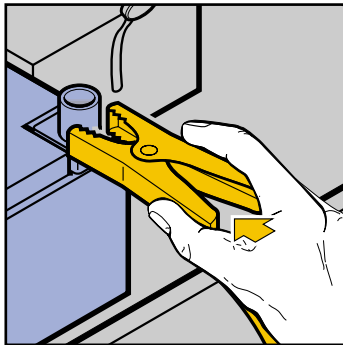
11.1



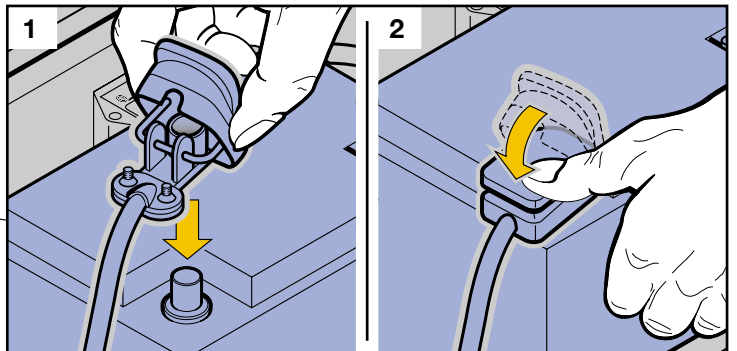
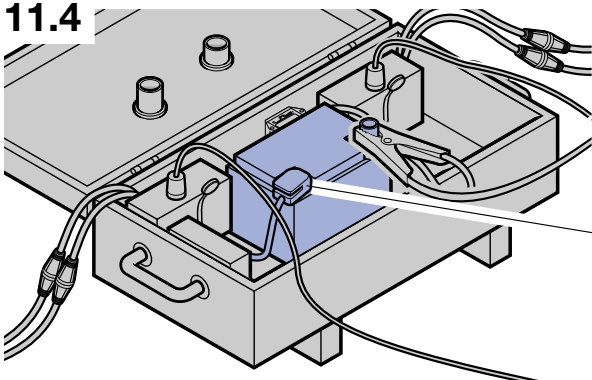
11.2



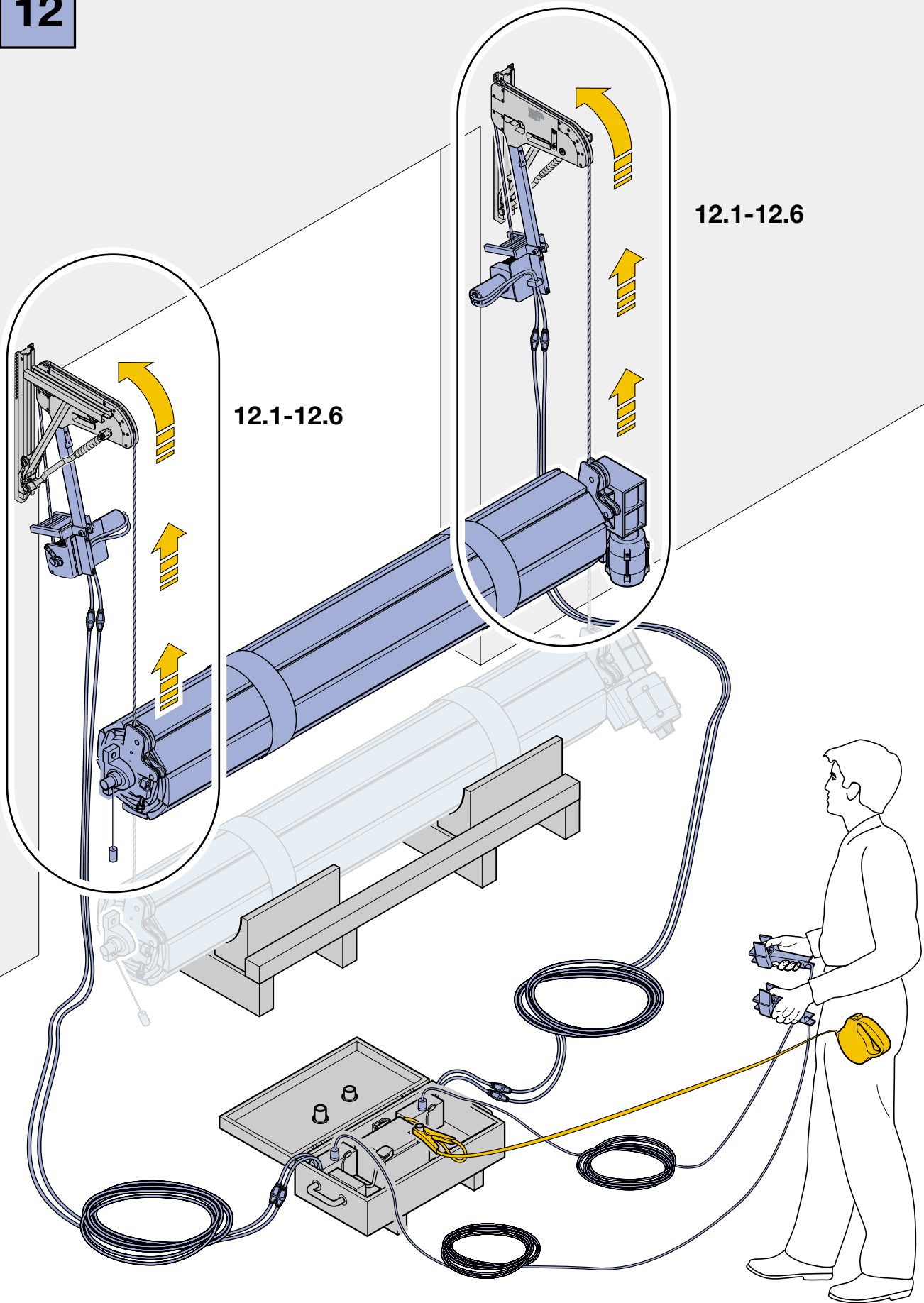
11.3



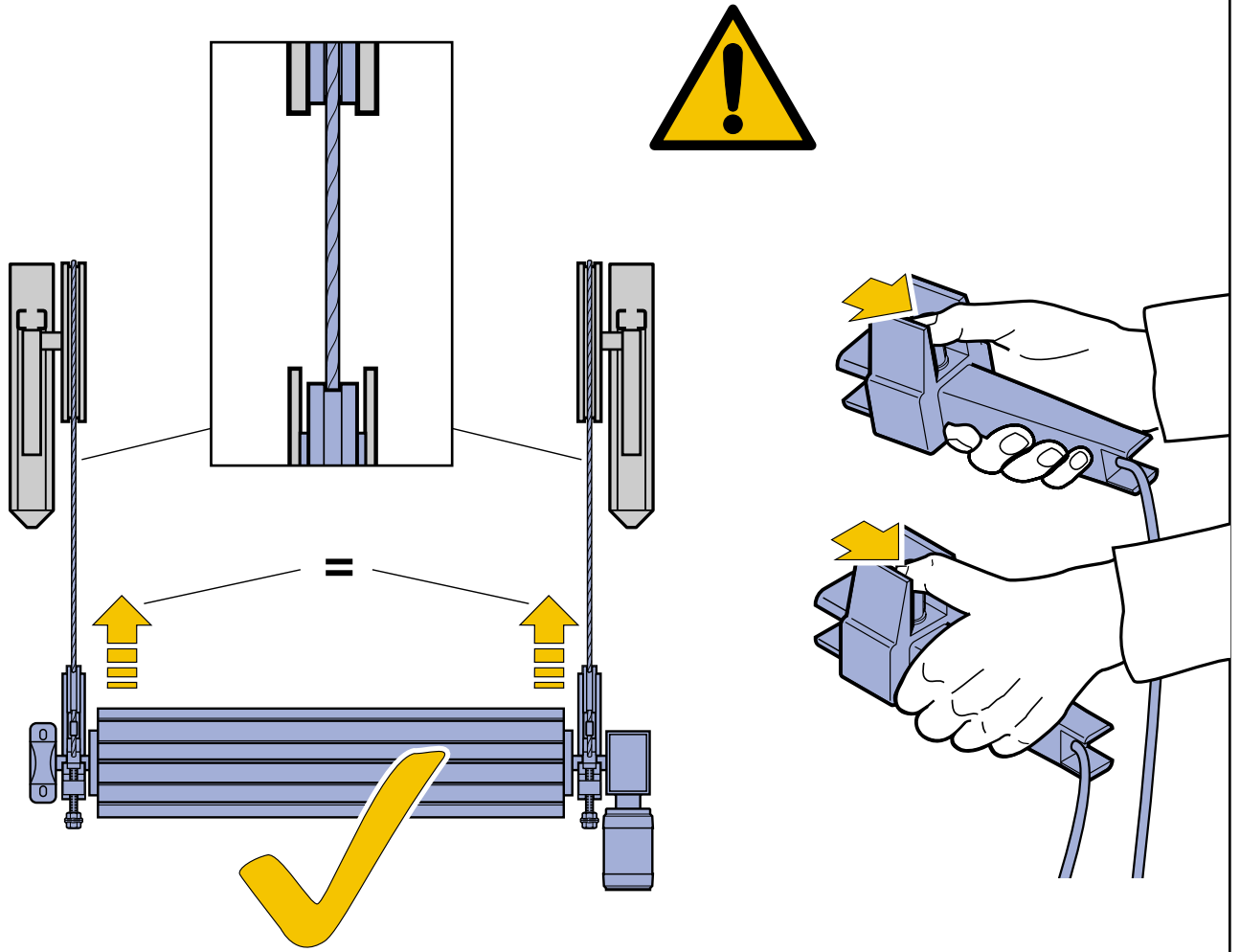
11.4



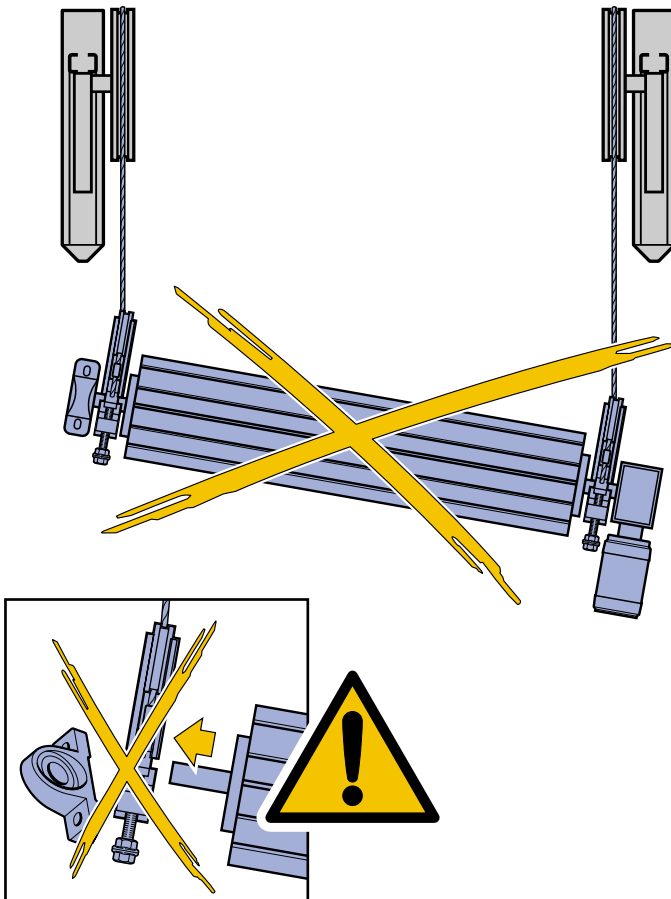
12



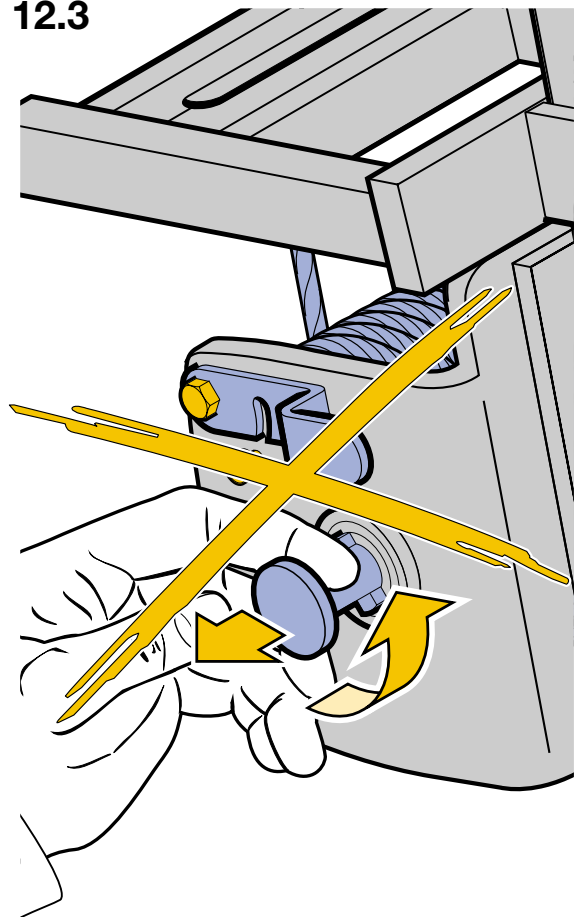
12.1



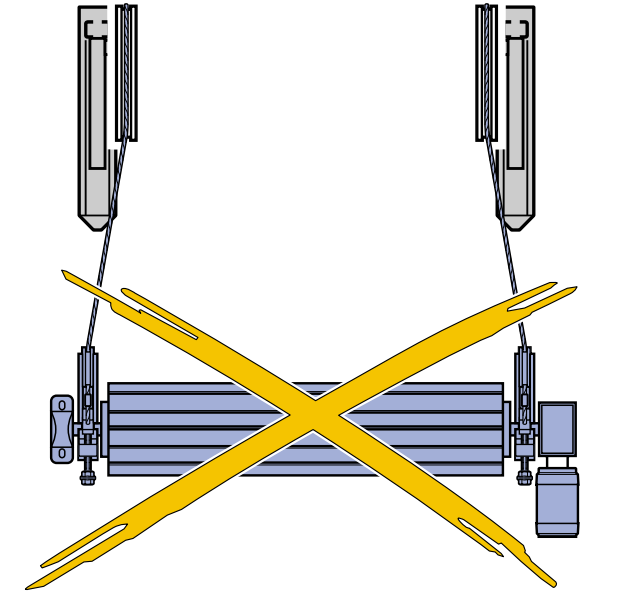
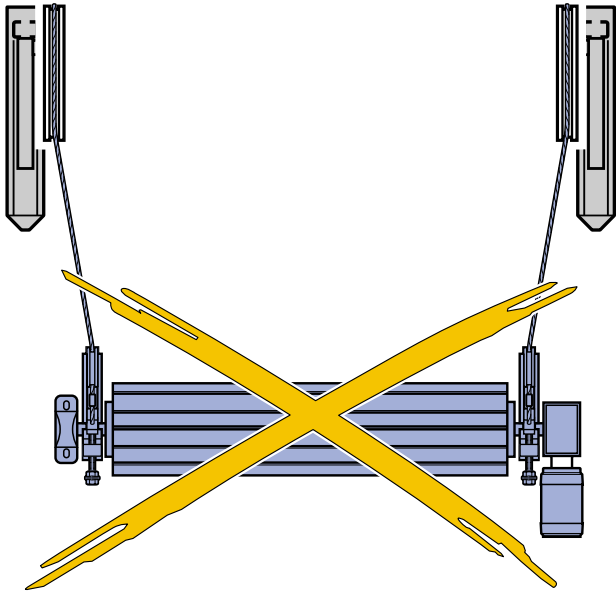
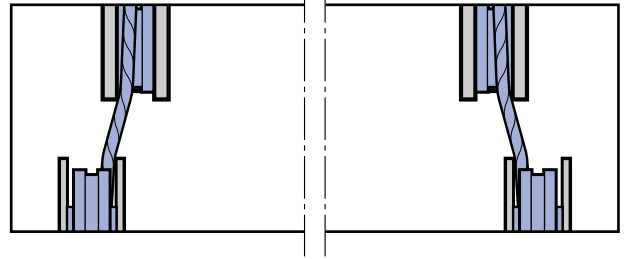
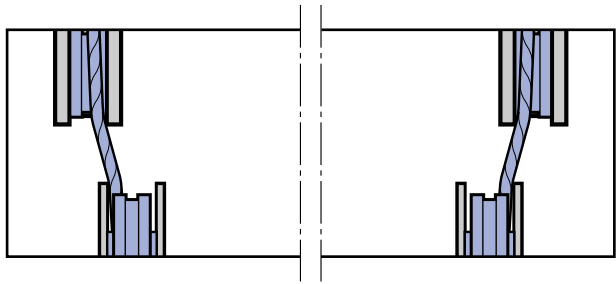
12.2



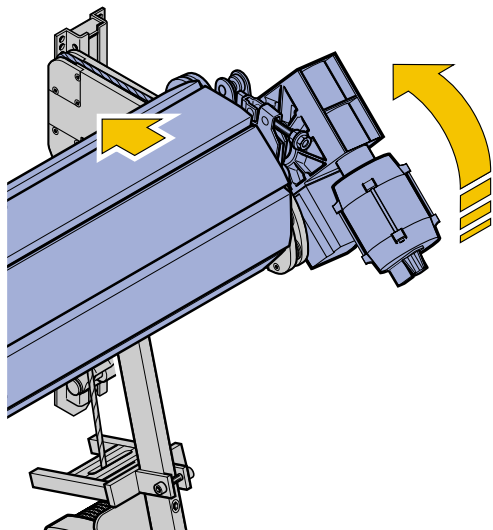
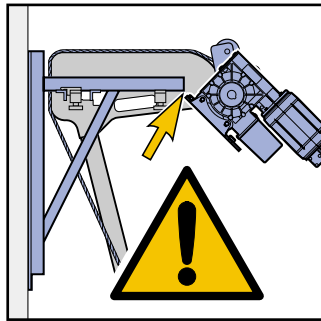
12.3



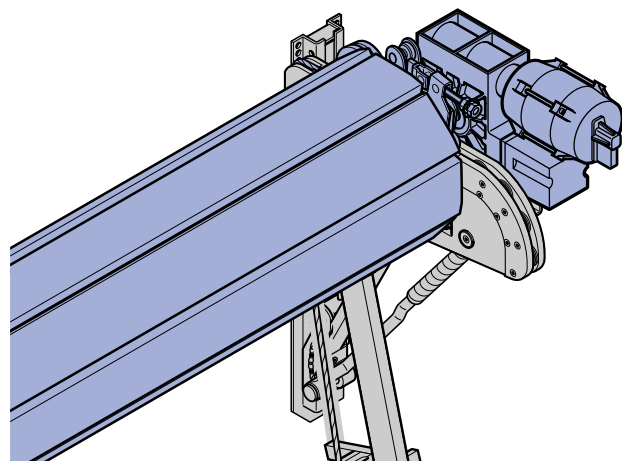
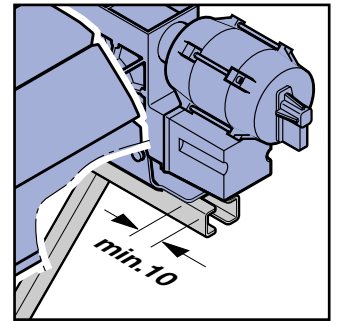
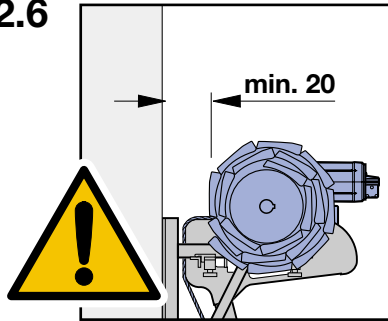
12.4



12.5



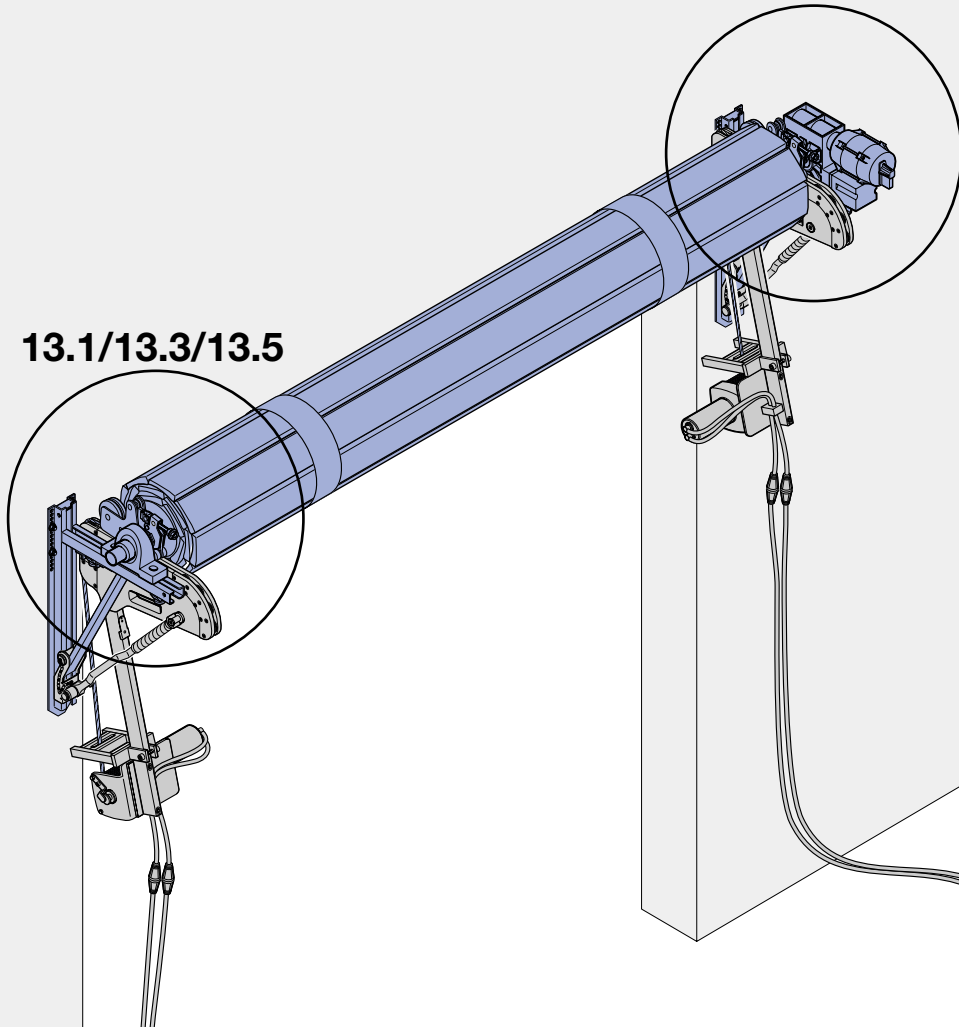
12.6



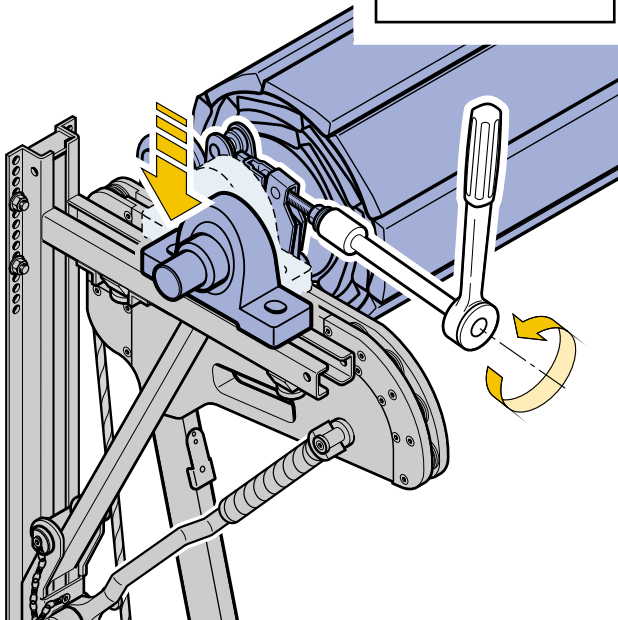
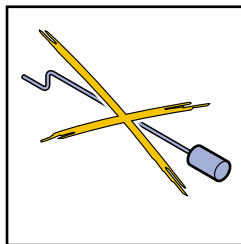
13

13.2/13.4/13.6

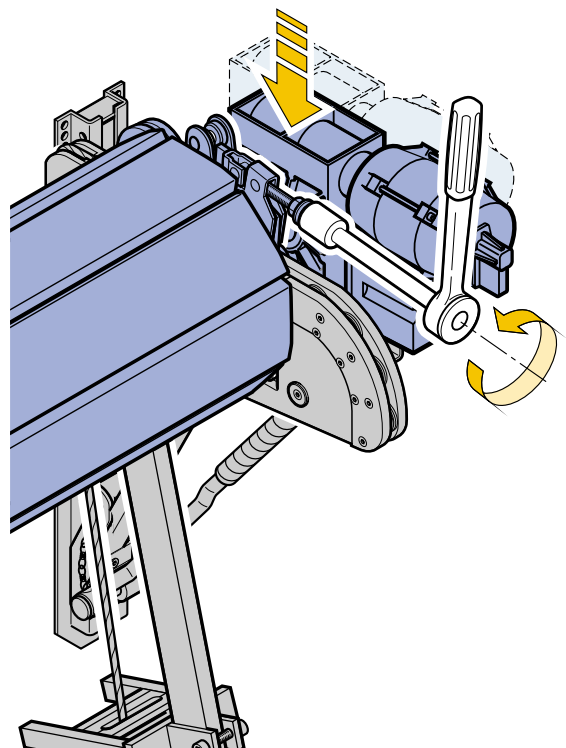
13.1/13.3/13.5



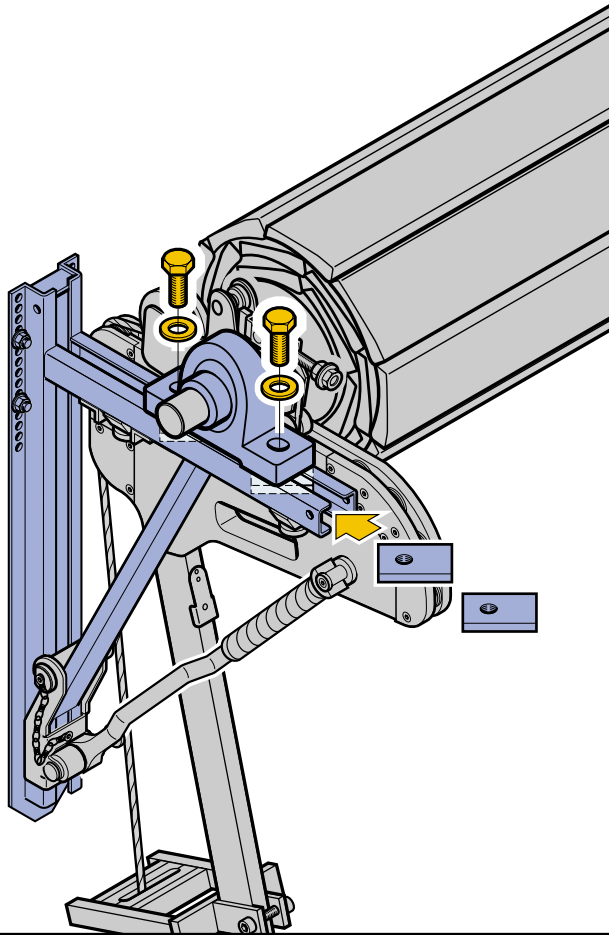
13.1



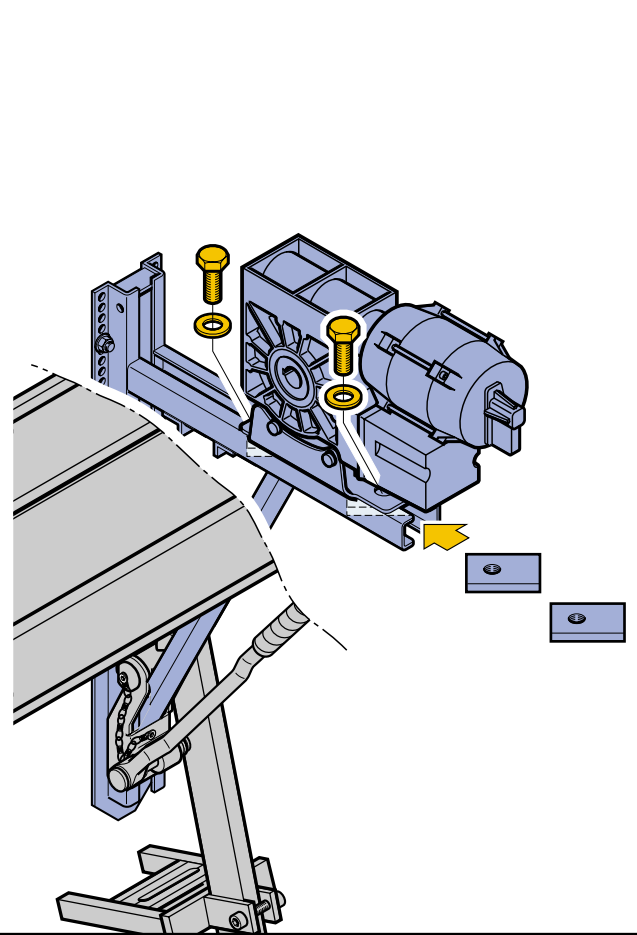
13.2



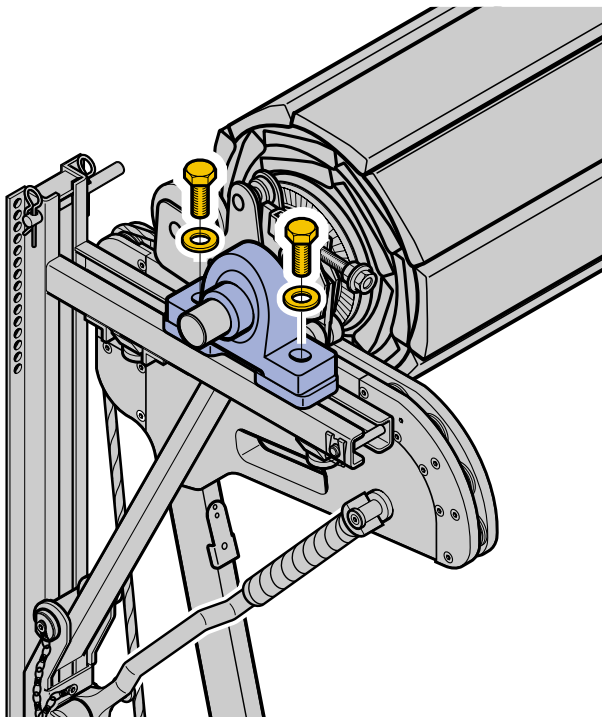
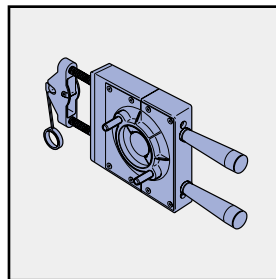
13.3



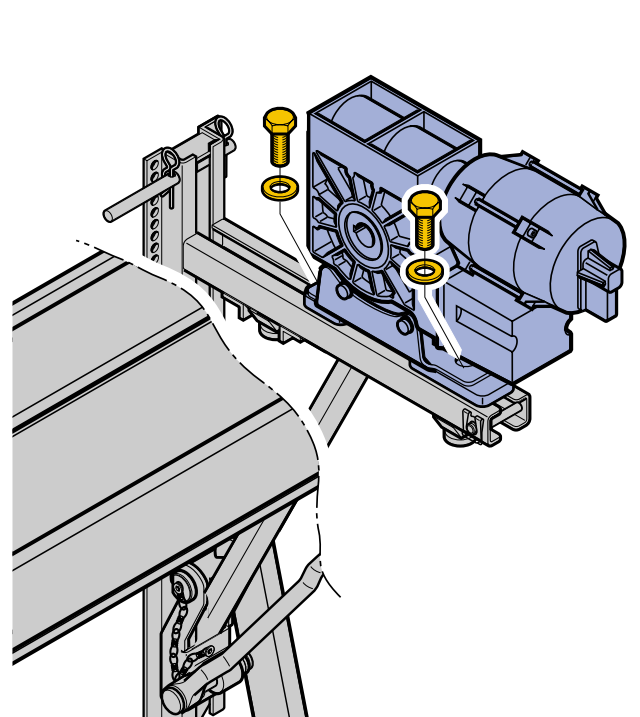
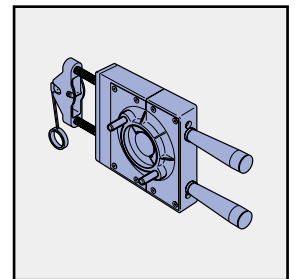
13.4



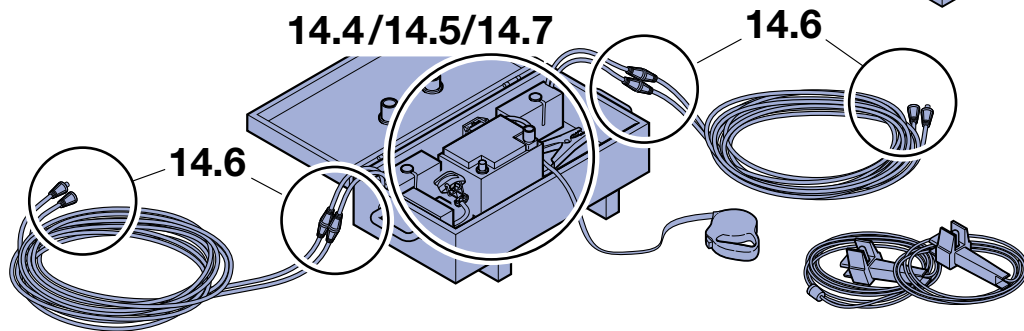
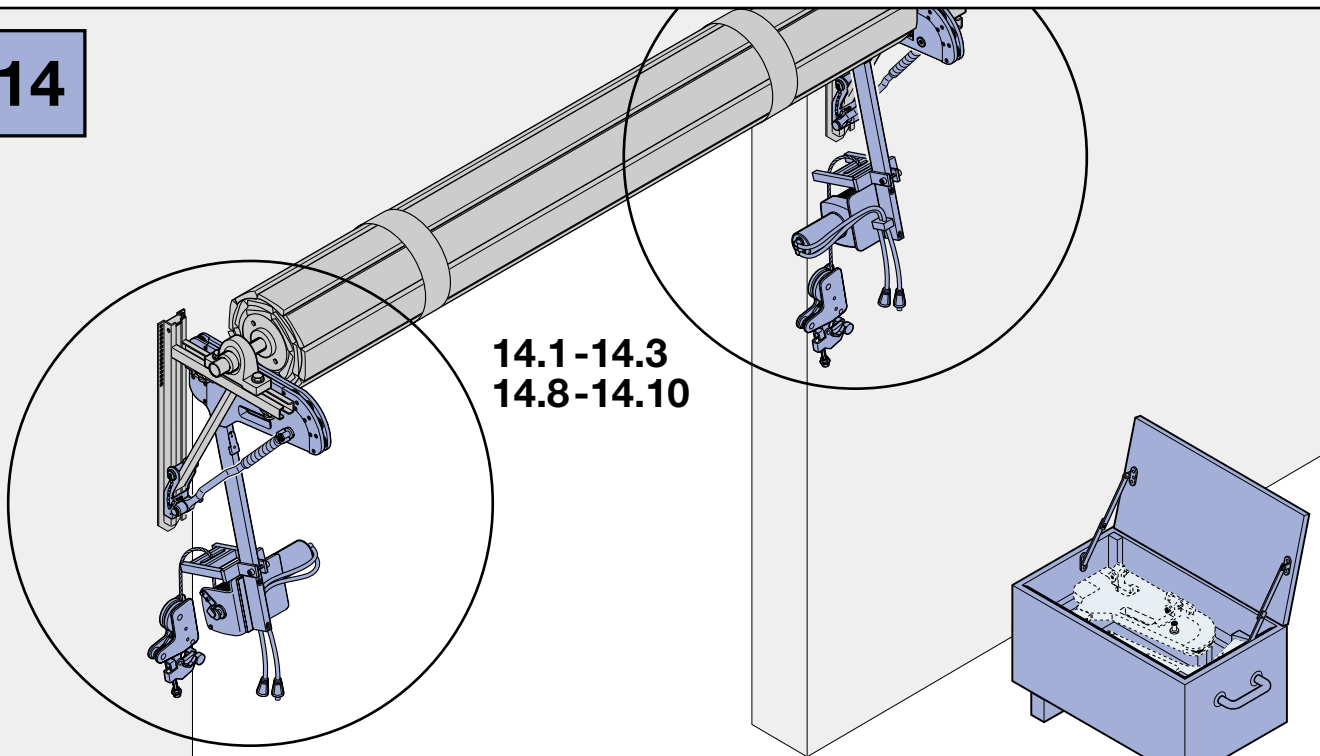
13.5



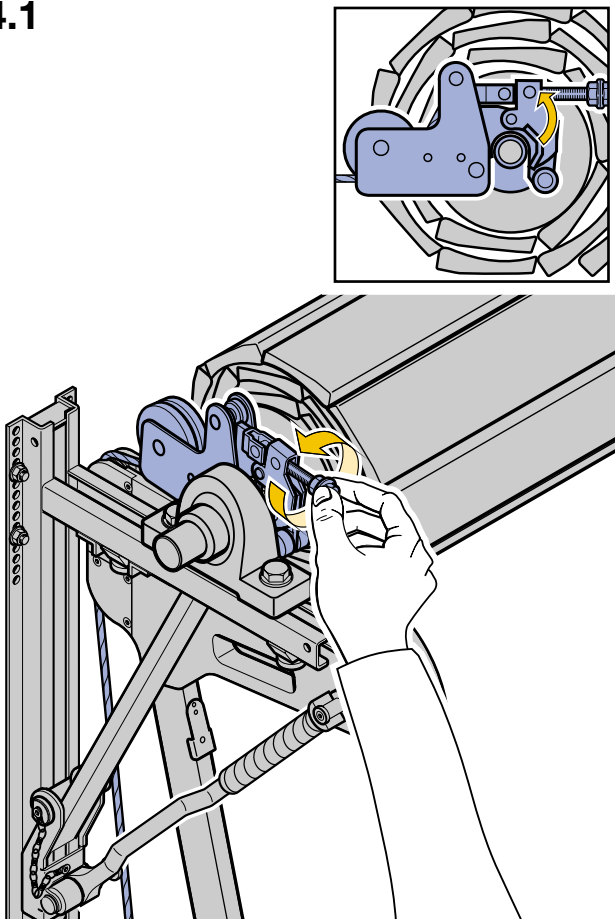
13.6



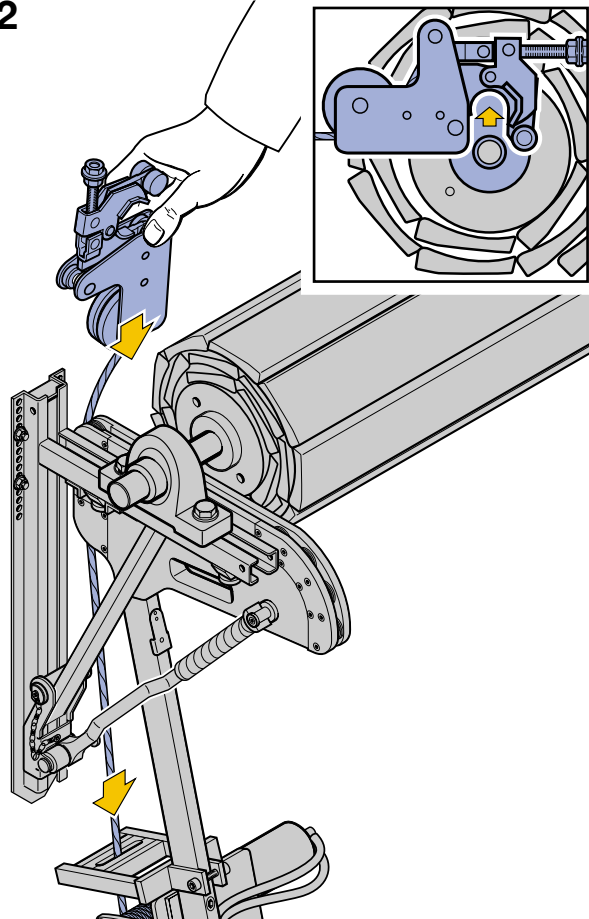
14



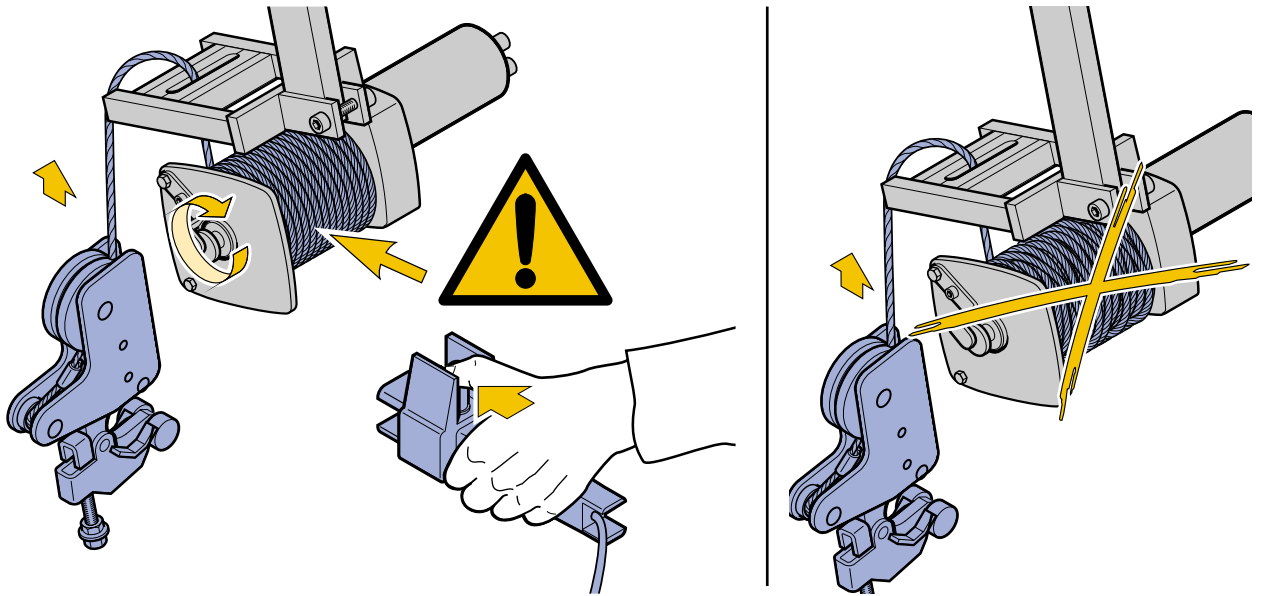
14.1



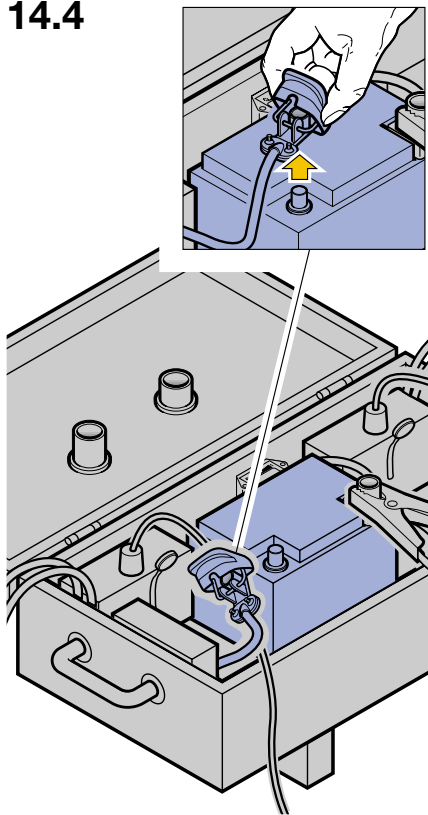
14.2



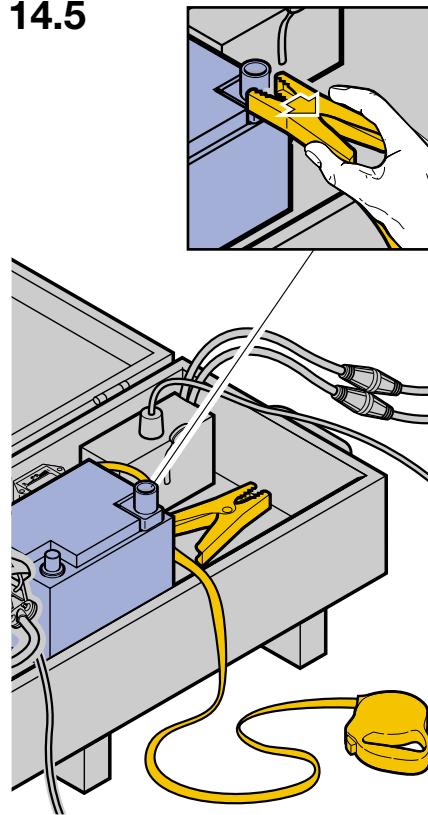
14.3



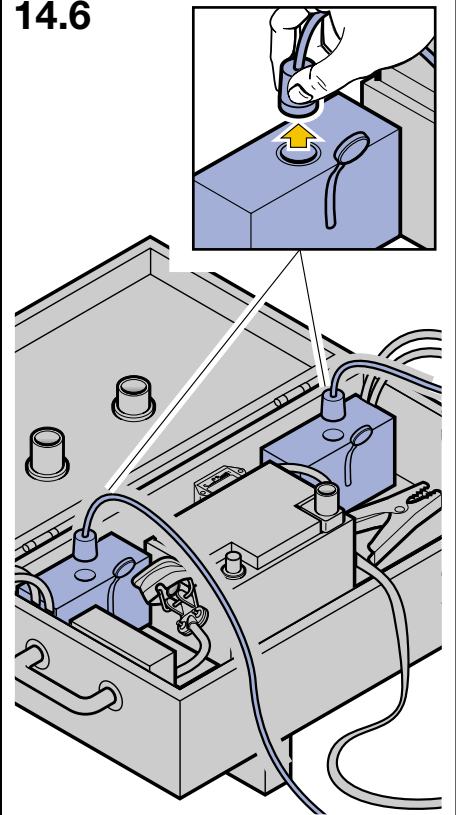
14.4



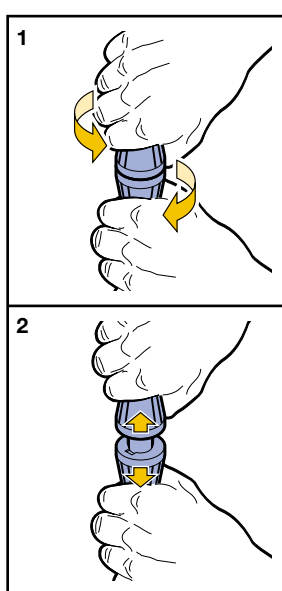
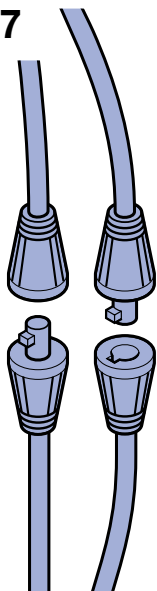
14.5



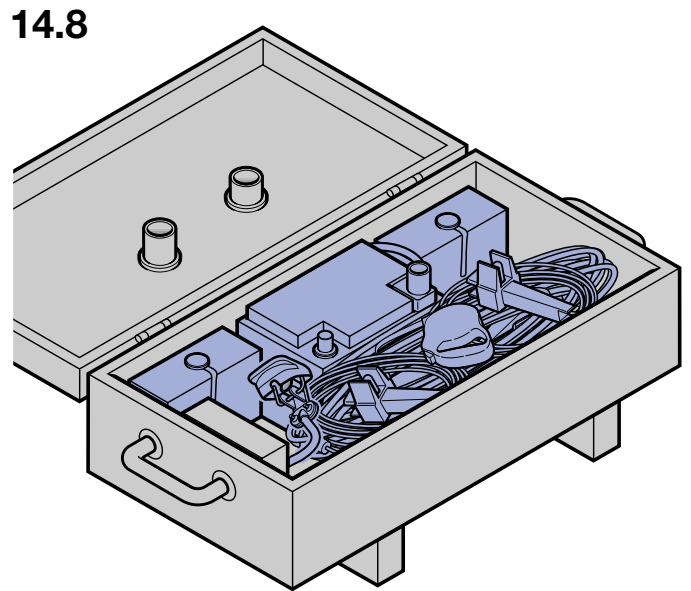
14.6



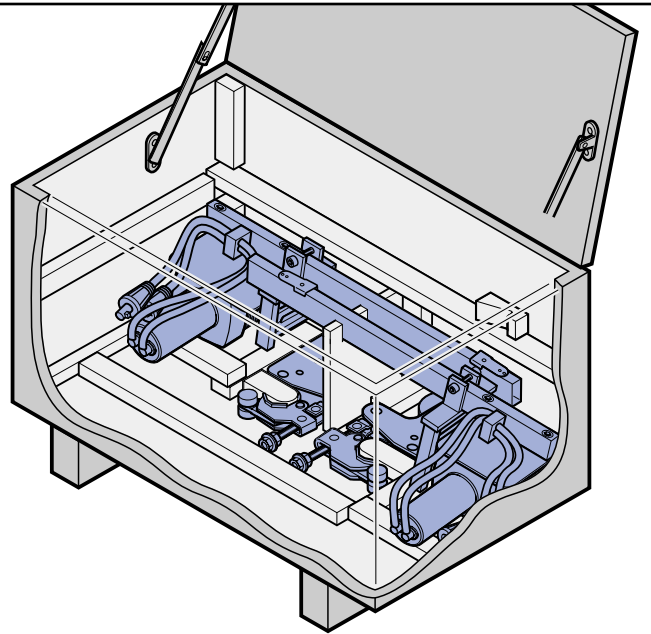
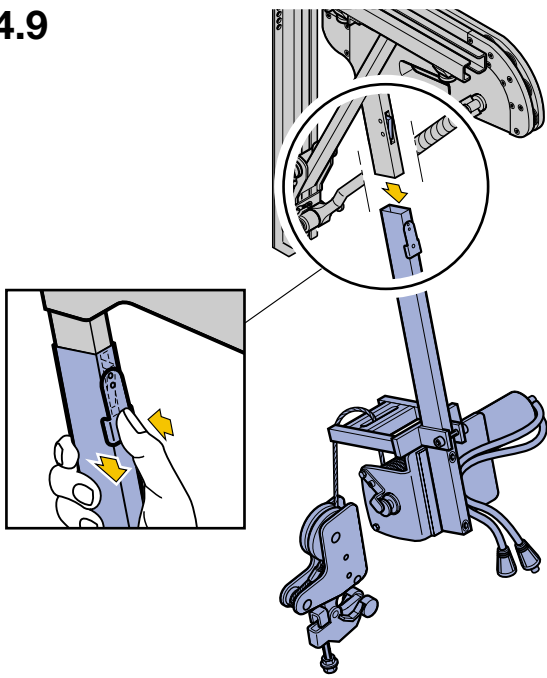
14.7



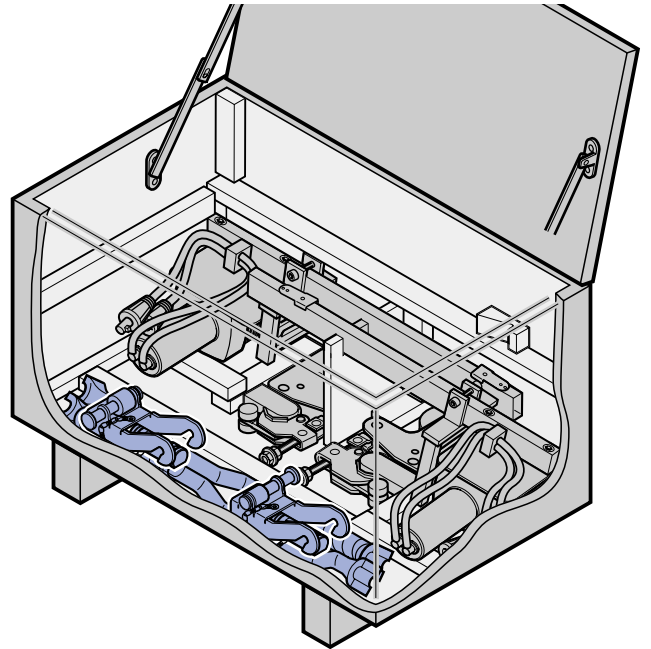
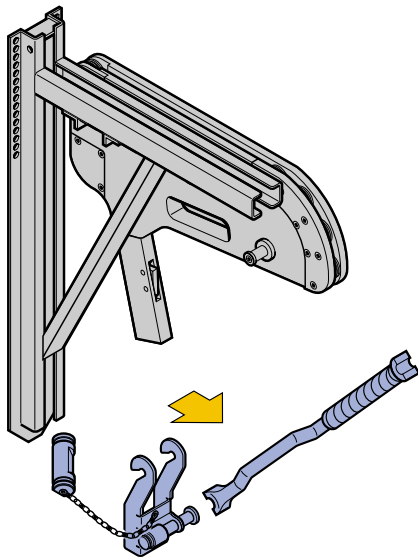
14.8



14.9



14.10



14.11

