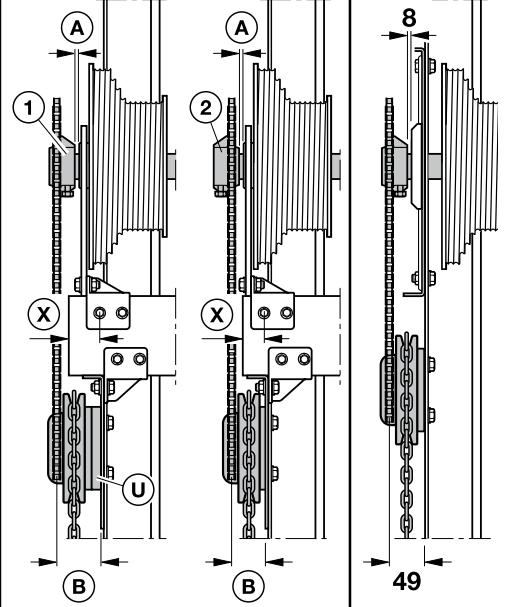
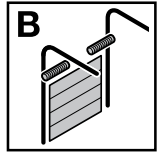
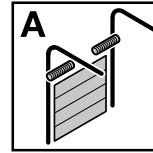


S	U	1	2	A	B
19	●	●	—	4	57
26	—	—	●	7	49
33	—	—	●	—	49
40	●	—	●	—	57



X	U	1	2	A	B
32.5	—	—	●	8	49
39.5	●	●	—	4	57
46.5	—	●	—	3	49

